



Bintelli Spark Parts Manual

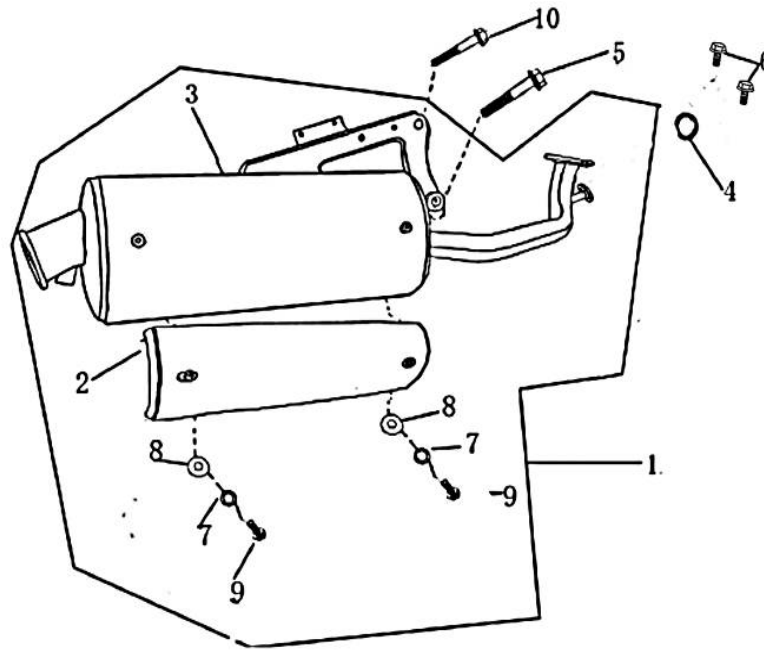
**2137 Savannah Highway
Charleston, SC 29414
(843) 531-6833**

**www.BintelliScooters.com
www.BintelliParts.com**

TABLE OF CONTENTS

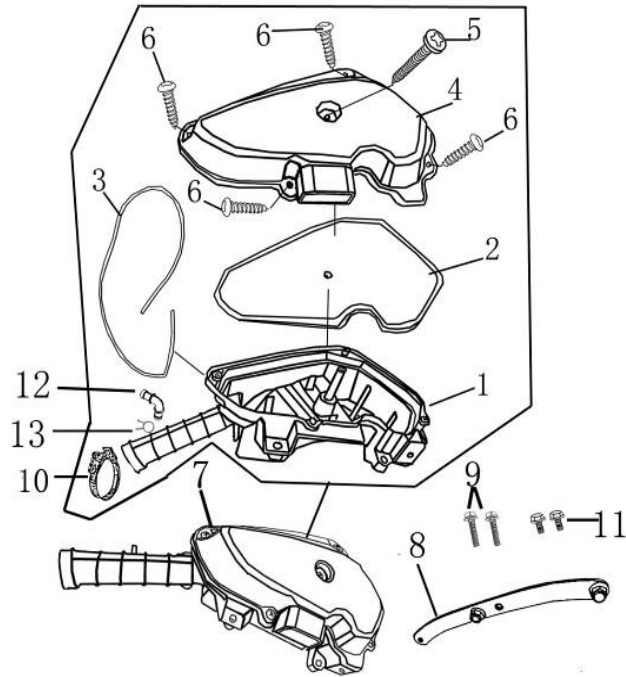
PART NAME	PAGE
EXHAUST MUFFLER	1
AIR CLEANER	2
WIRE HARNESS, LOCK SET	3
ELECTRICAL	4
METER	5
HEADLIGHT	6
REAR LIGHT/ REAR TURNING LIGHT	7
HANDLEBAR, CABLE & SWITCH	8
HANDLE, REAR VIEW MIRROR	9
FRONT, COVER SHIELD	10
LUGGAGE CARRIER	11
SIDE & REAR COVERS	12
SEAT/LUGGAGE CABINET	13
FOOTREST, LUGGAGE CABINET FRONT COVER	14
FRONT FENDER	15
REAR FENDER	16
MAIN/SIDE STAND	18
FUEL TANK	19
STEERING/FRONT SHOCK ABSORBER	20
REAR BAGGE RACK	21
FRONT WHEEL	22
REAR WHEEL	23
TOOLS ASSEMBLY	24
FRONT HYDRAULIC BRAKE	25
PCV RECYCLING GASES VALVE, ASSEMBLY	26

EXHAUST MUFFLER



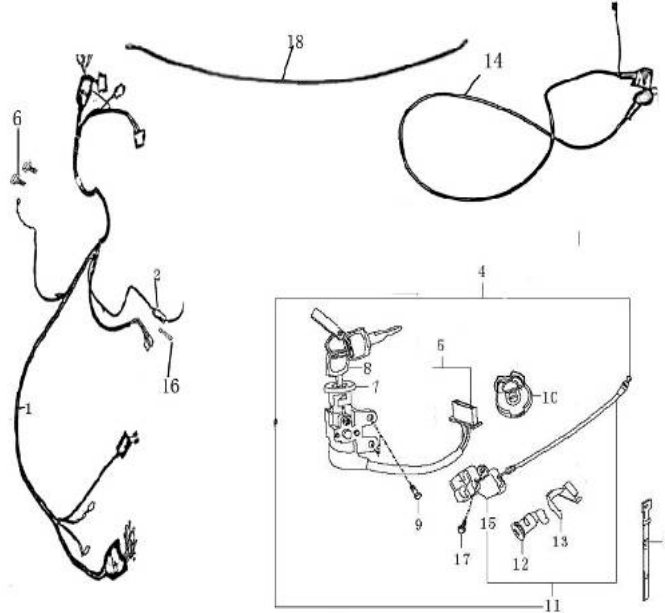
ITEM	PART NUMBER	PART NAME / DESCRIPTION	QTY
1	1100401-3	Exhaust Muffler Assembly	1
2	2100401-8	Muffler Insulation Board	1
3	2100401-7	Exhaust Muffler	1
4	1100402-2	Washer, Exhaust Gasket	1
5	9050608040-1	Flange Bolt, Hexagon GB/T5789-M8×40	1
6	9050606020-1	Flange Bolt, Hexagon GB/T5789-M6×20	2
7	9150206001-2	Spring Washer, GB/T93-φ6	2
8	9181306012-2	Plain Washer, GB/T97-φ6×φ12	2
9	9040606010-2	Flange Bolt, GB/T5787-M6×10	2
10	9050608020-1	Flange Bolt, GB/T5789-M8×20	1

AIR CLEANER



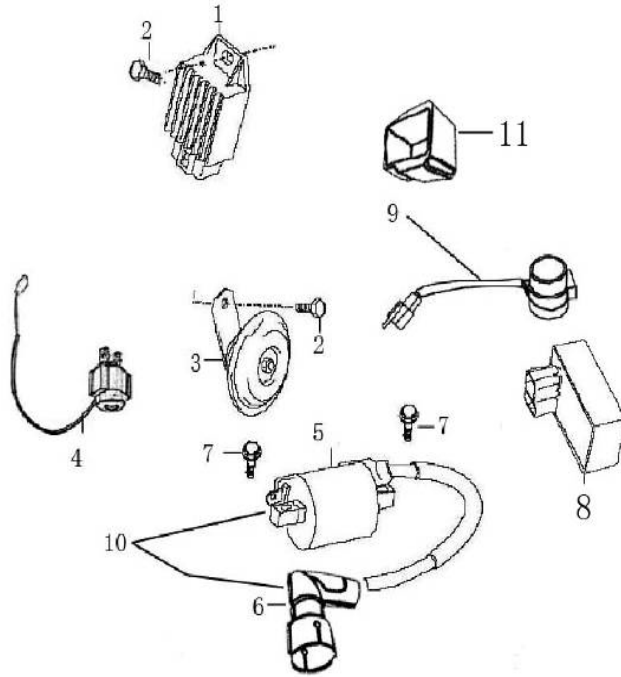
ITEM	PART NUMBER	PART NAME / DESCRIPTION	QTY
1	2200401-1	Air Box	1
2	2200401-2	Air Filter (Sponge)	1
3	2200401-3	Seal Gasket / Sealing Strip	1
4	2200401-4	Air Box Cover	1
5	9111748025-1	Screw, Self-Tapping GB/T845-ST4.8x25	1
6	9111742016-1	Screw, Self-Tapping GB/T845-ST4.2x16	4
7	1200401-1	Air Box Assembly (E9 KR BJ05-09)	1
8	1030415-1	Bracket, Air Box	1
9	8010806070-1	Bolt, Cross Large Flat Head M6x70	2
10	2200401-5	Clip / Clamp φ (32-44mm)	1
11	9050606012-1	Flange Bolt, Hexagon GB/T5789-M6x12	2
12	2200401-6	Air Filter Intake Pipe Elbow	1
13	2200401-7	Circlip φ10 (1mm)	1

WIRE HARNESS, LOCK SET



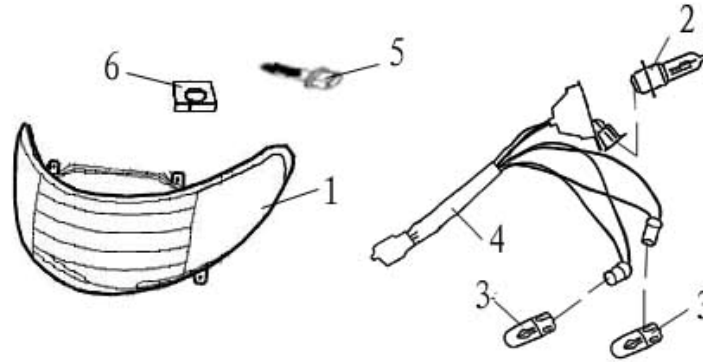
ITEM	PART NUMBER	PART NAME / DESCRIPTION	QTY
1	1070401-1	Wire Harness	1
2	2070401-1	Fuse Box	1
3	1070406	Cable Ties	5
4	1140401-2	Ignition Set	1
5		Ignition Switch	1
6	9050606012-1	Flange Bolt, Hexagon GB/T5789-M6×12	1
7	2140401-1	Cap, Lock	1
8		Key (Foldaway)	2
9	9050606016-1	Flange Bolt, GB/T5789-M6×16	2
10		Cap Assembly, Fuel Tank(with hole)	1
11		Lock set, Seat	1
12		Lock body, Seat	1
13	2140401-2	Ignition Bracket	1
14	1070403-2	Positive Line / Pole Cable, (Red 800mm/4mm ²)	1
15	2140401-3	Hooded Lock, Seat	1
16	2070401-2	Fuse 15A	2
17	9050606016-1	Flange Bolt, Hexagon GB/T5789-M6×16	2
18	1070404-2	Grounding Cable, (Black 500mm/4mm ²)	1

ELECTRICAL



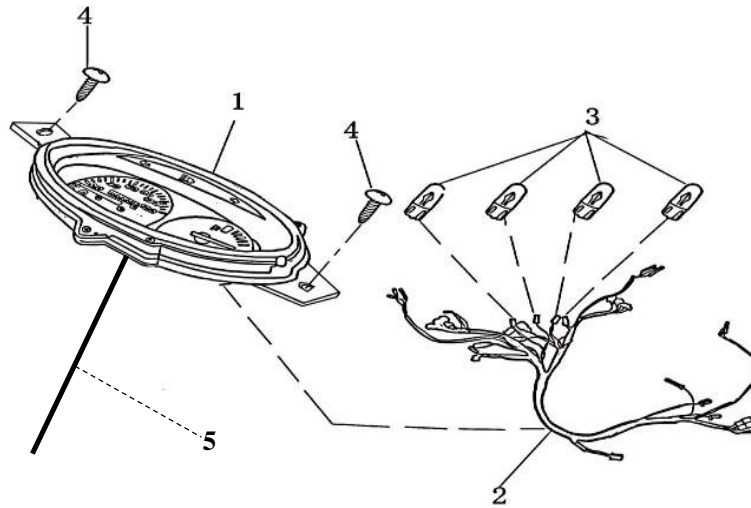
ITEM	PART NUMBER	PART NAME / DESCRIPTION	QTY
1	1060002-1	Voltage Regulator / Rectifier (AC-6)	1
2	9050606012-1	Flange Bolt, GB/T5789-M6×12	2
3	1060007-1	Horn, DL127(IE4000113) 12V1.5A	1
4	1060006-1	Starter Relay	1
5	2060005-1	Ignition Coil / High Voltage Package	1
6	2060005-2	Ignition Coil Cap / Hightension Adapter	1
7	9050606020-1	Flange bolt, GB/T5789-M6×20	2
8	1060003-3	CDI (45km/h, 3.50-10)	1
8A	1060003-1	CDI (25km/h, 3.50-10)	1
8B	1060003-2	CDI (30km/h, 3.50-10)	1
9	1060001-1	Flasher Relay (frequency conversion)	1
10	1060005-1	Ignition Coil Assembly / High pressure package (shielded type)	1
11	1060004-1	Rubber cover, CDI	1

HEADLIGHT



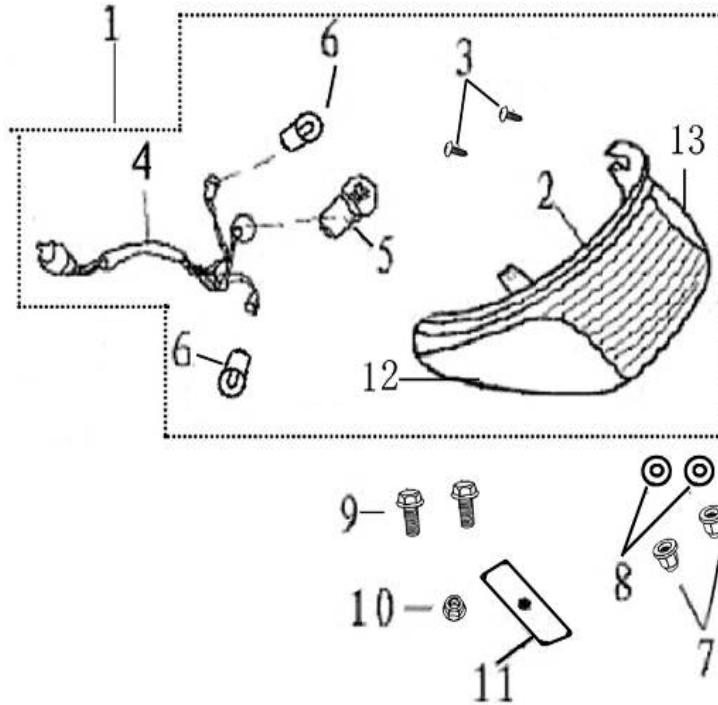
ITEM	PART NUMBER	PART NAME / DESCRIPTION	QTY
1	1160401-1	Headlights	1
2	2160401-4	Bulb, Headlight 12V25/25W	1
3	2160401-1	Bulb (12V W2W)	3
4	2160401-3	Wire Harness, Headlight	1
5	1070402-1	Flange Bolt, M6×16	1
6	9111742016-1	Square Nut, M6	1

SPEEDOMETER



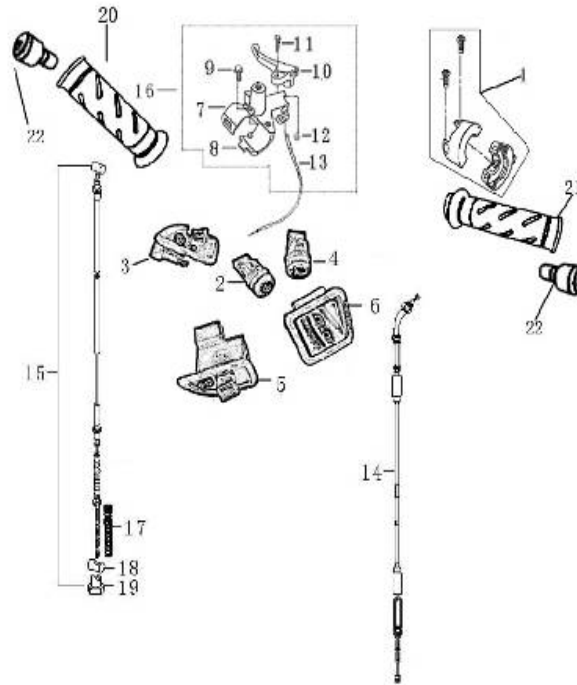
ITEM	PART NUMBER	PART NAME / DESCRIPTION	QTY
1	1150401-1	Speedometer Cluster	1
2	2150401-2	Wire Harness, Spedometer Cluster	1
3	2150401-1	Bulb, Turn Signal 12V 3W	4
4	2150401-3	Screw, Self-Tapping ST4.2x12	2
5	1080401-2	Speedometer Cable	1

REAR LIGHT / REAR TURNING LIGHT



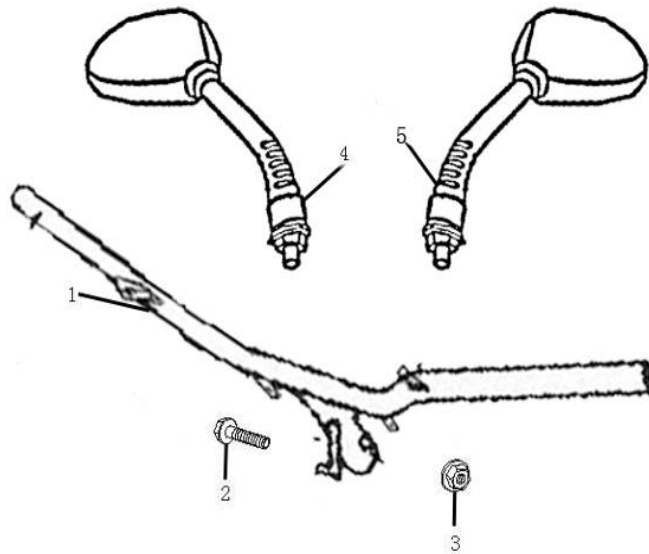
ITEM	PART NUMBER	PART NAME / DESCRIPTION	QTY
1	1010419-1	Rear Light Assembly	1
2	2010419-1	Taillight Cover	1
3	9111735012-4	Screw, Self-Tapping GB/T845-ST3.5×12	2
4	2010419-2	Taillight Wire Harness	1
5	2010419-3	Light bulb (12V P21/5W)	1
6	2010416-1	Light bulb (12V RY10W)	2
7	8010206017-1	Cap Nut M6×17	2
8	9170106018-1	Plain Washer, GB/T96-φ6×φ18	2
9	9050606012-1	Flange Bolt, Hexagon GB/T5789-M6×12	2
10	9070505001-1	Flange Nut, Hexagon GB/T6177.1-M5	1
11	1010003-1	Rear Square Reflector (IA-E4-023361)	1
12	2010419-5	Rear Left Turn Signal Cover E3-50R-001066	1
13	2010419-6	Rear Right Turn Signal Cover E3-50R-001066	1

HANDLEBAR, CABLE & SWITCH



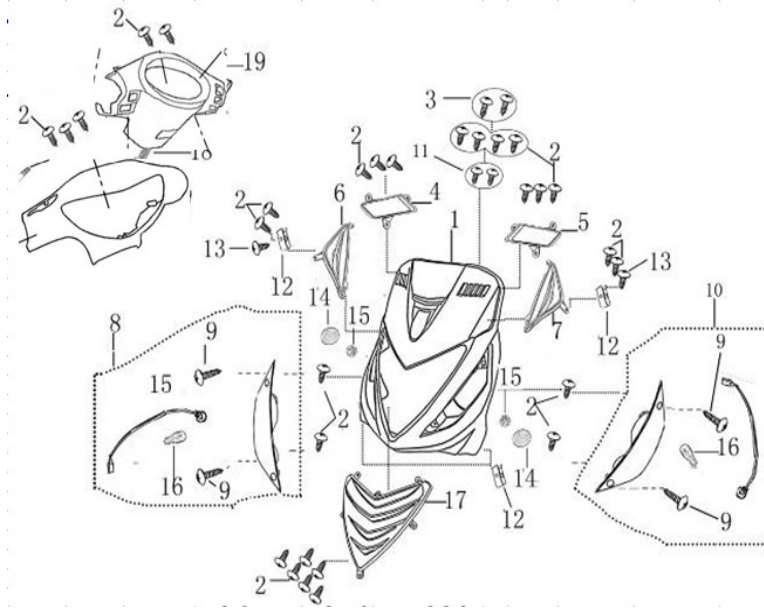
ITEM	PART NUMBER	PART NAME / DESCRIPTION	QTY
1	1180404	Throttle Grip Clamp	1
2	1050404-2	Electric Start Switch	1
3	1050405-2	Headlight Switch	1
4	1050403-2	Horn Switch	1
5	1050402-2	Turn Signal Switch	1
6	1050401-2	High Beam Switch	1
7	2190401-1	Upper Clamp, Left Hand Brake Handle	1
8	2190401-2	Lower Clamp, Left Hand Brake Handle	1
9	9040606020-3	Flange Bolt, Hexagon GB/T5787-M6×20	1
10	2190401-3	Left Brake Handle (Black)	1
11	2190401-5	Fixing Screw, Rear Brake Handle M5×25	1
12	9191805001-3	Lock Nut, Hexagon GB/T6184-M5	1
13	2190401-4	Switch, Rear Left Hand Brake	1
14	1080402-2	Throttle Cable (1550mm 135mm)	1
15	1080403-1	Cable, Rear Brake (1800mm, distance 60mm)	1
16	1190401-1	Switch Assembly, Rear Left Hand Brake	1
17	2080403-1	Spring, Rear Brake Cable	1
18	2080403-2	Pin, Rear Brake Cable	1
19	2080403-3	Adjustment Nut M6, Rear Brake Cable	1
20	1180401-2	Rubber Grip, Left Hand	1
21	1180402-2	Rubber Grip, Right Hand (Throttle Control)	1
22	1180403-2	Balance Weights	2

HANDLE, REAR VIEW MIRROR



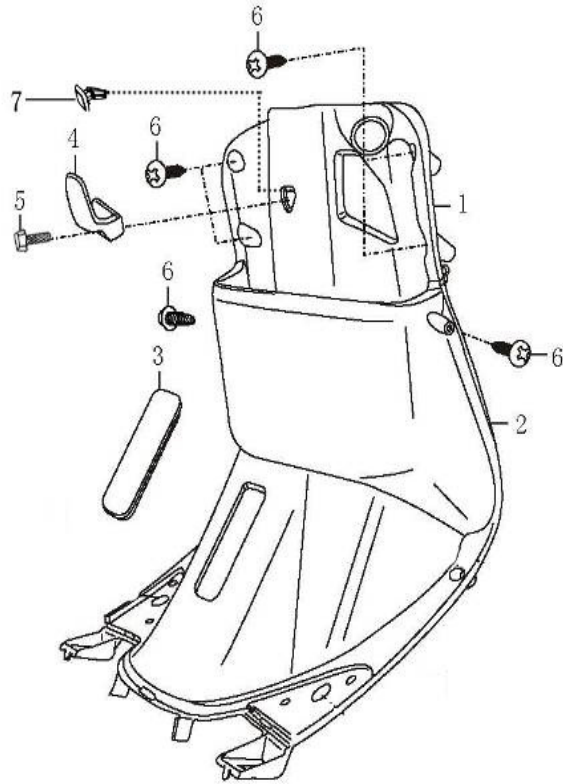
ITEM	PART NUMBER	PART NAME / DESCRIPTION	QTY
1	1030404-2	Handlebar	1
2	9050610045-1	Flange Bolt, Hexagon GB/T5789-M10×45	1
3	9080710001-1	Flange Lock Nut, Hexagon GB/T6187.1-M10	1
4	<i>(choose color below)</i>	Right Mirror, Rear View	1
	1210406-1-Charcoal	Right Rear View Mirror - Charcoal	
	1210406-1-Blue	Right Rear View Mirror - Blue	
	1210406-1-Burgundy	Right Rear View Mirror - Burgundy	
5	<i>(choose color below)</i>	Left Mirror, Rear View	1
	1210405-1-Charcoal	Left Rear View Mirror - Charcoal	
	1210405-1-Blue	Left Rear View Mirror - Blue	
	1210405-1-Burgundy	Left Rear View Mirror - Burgundy	

FRONT COVER, SHIELD



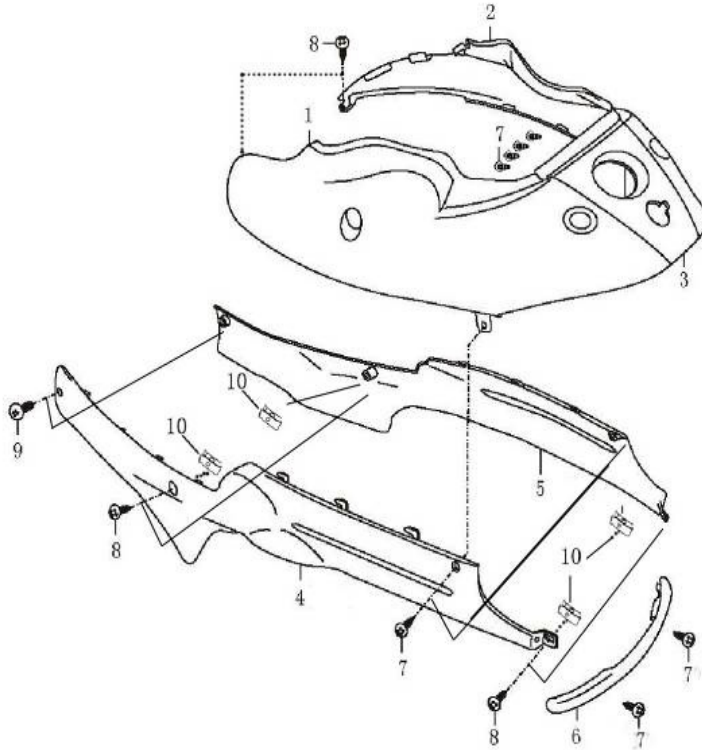
ITEM	PART NUMBER	PART NAME / DESCRIPTION	QTY
1	(choose color below)	Front Cover Plastic	1
	1020402-3-Charcoal	Front Cover Plastic - Charcoal	
	1020402-3-Blue	Front Cover Plastic - Blue	
	1020402-3-Burgundy	Front Cover Plastic - Burgundy	
2	9111742012-1	Screw, Self-Tapping GB/T845-ST4.2x12	29
3	9111748016-1	Screw, Self-Tapping GB/T845-ST4.8x16	2
4	1010426-1	Right Decorative Panel A	1
5	1010425-1	Left Decorative Panel A	1
6	1010426-2	Right Decorative Panel B	1
7	1010425-2	Left Decorative Panel B	1
8	1010417-2	Right Front Turn Signal Assembly	1
9	9111738012-4	Screws, Self-Tapping GB/T845-ST3.8x12	4
10	1010416-2	Left Front Turn Signal Assembly	1
11	9111742010-1	Screw, Self-Tapping GB/T845-ST4.2x10	2
12	8011042001-1	Clip 4.2mm	4
13	8010742010-1	Screw, Self-Tapping GB/T845-ST4.2x10	2
14	1010001-1	Side Reflector (IA-E4-023360)	2
15	9070505001-1	Flange Nut, Hexagon GB/T6177.1-M5	2
16	2010416-1	Light Bulb (12V RY10W)	2
17	1010423	Front Panel Vent	1
18	9101506025-1	Screw, Phillips Pan Head GB/T818-M6x25	1
19	1010401-2	Case, Meter Instrument Back	1
20	1020401-2	Headlight Cover, Instrument Case Front	1

LUGGAGE CARRIER



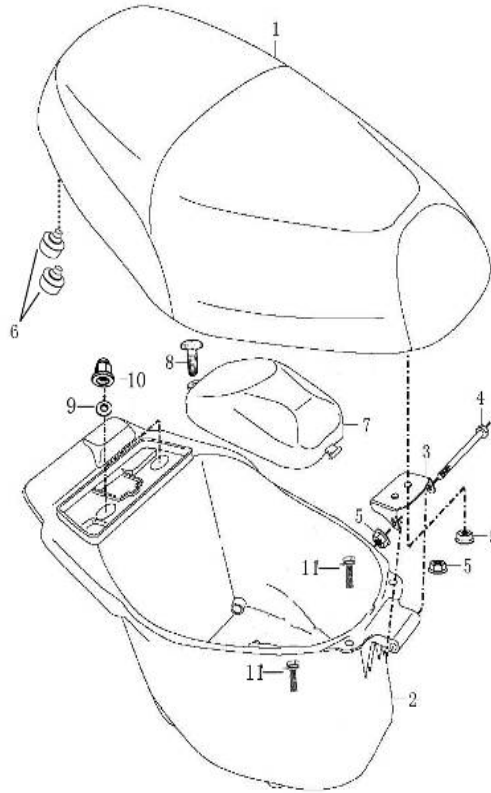
ITEM	PART NUMBER	PART NAME / DESCRIPTION	QTY
1	1010402-1	Upper, Front Luggage Carrier	1
2	1010402-2	Lower, Front Luggage Carrier	1
3	1010403	Cover, VIN	1
4	1010404-1	Hook, Helmet (Small)	1
5	9050606016-1	Flange Bolt, Hexagon GB/T5789-M6×16	1
6	9111742012-1	Screw, Self-Tapping GB/T845-ST4.2×12	4
7	1010411	Button, Helmet Hook Lock	1

SIDE & REAR COVERS



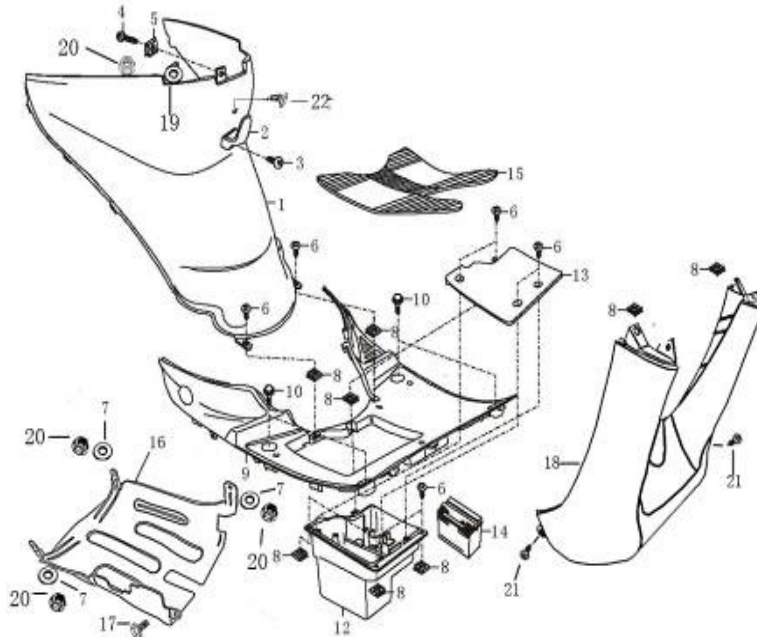
ITEM	PART NUMBER	PART NAME / DESCRIPTION	QTY
1	<i>(choose color below)</i>	Left Side Plastic	1
	1020409 (86)-Charcoal	Left Side Plastic - Charcoal	
	1020409 (86)-Blue	Left Side Plastic - Blue	
	1020409 (86)-Burgundy	Left Side Plastic - Burgundy	
2	<i>(choose color below)</i>	Right Side Plastic	1
	1020410 (86)-Charcoal	Right Side Plastic - Charcoal	
	1020410 (86)-Blue	Right Side Plastic - Blue	
	1020410 (86)-Burgundy	Right Side Plastic - Burgundy	
3	(86) <i>(choose color below)</i>	Rear Central Decorating Cover	1
	1020411 (86)-Charcoal	Rear Decorative Panel Charcoal	
	1020411 (86)-Blue	Rear Decorative Panel Blue	
	1020411 (86)-Burgundy	Rear Decorative Panel Burgundy	
4	1020406 (86)	Left Floorboard Plastic, Black	1
5	1020407 (86)	Right Floorboard Plastic, Black	1
6	1020408 (86)	Rear Guard, Black	1
7	9111742012-1	Screw, Self-Tapping GB/T845-ST4.2×12	8
8	9111748016-1	Screw, Self-Tapping GB/T845-ST4.8×16	6
9	9101506016-1	Screw, Pan Head GB/T818-M6×16	2
10	8011042001-1	Clip, 4.2mm	4
11	1220401-6	Applique (JIGGER 50, A3 Guangyang)	1

SEAT / LUGGAGE CABINET



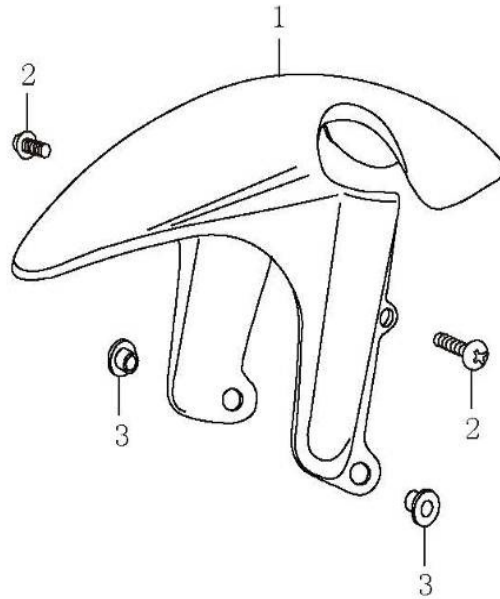
ITEM	PART NUMBER	PART NAME / DESCRIPTION	QTY
1	1130401-3	Seat Assembly (including 3, 4, 5, 6) 3# Leather B Type with Lettering	1
2	1010408-2	Underseat Luggage Cabinet / Bucket	1
3	2130401-1	Seat Latch	1
4	2130401-2	Seat Latch Axle Shaft $\phi 7.4 \times 51 \times 12$ -M6	1
5	9070506001-3	Flange Nut, Hexagon GB/T6177.1-M6	3
6	2130401-3	Rubber, Seat (7mm)	2
7	1010409	Inside Cover, Underseat Luggage Cabinet	1
8	8010806012-1	Screw, Cross Large Flat Head M6 \times 12	1
9	9170106018-1	Washer, Large GB/T96- $\phi 6 \times \phi 18$	2
10	8010206017-1	Cap Nut, M6 \times 17	2
11	9120406016-1	Bolt with washer, Hexagonal GB/T9074.14-M6 \times 16	1

FOOTREST, LUGGAGE CABINET FRONT COVER



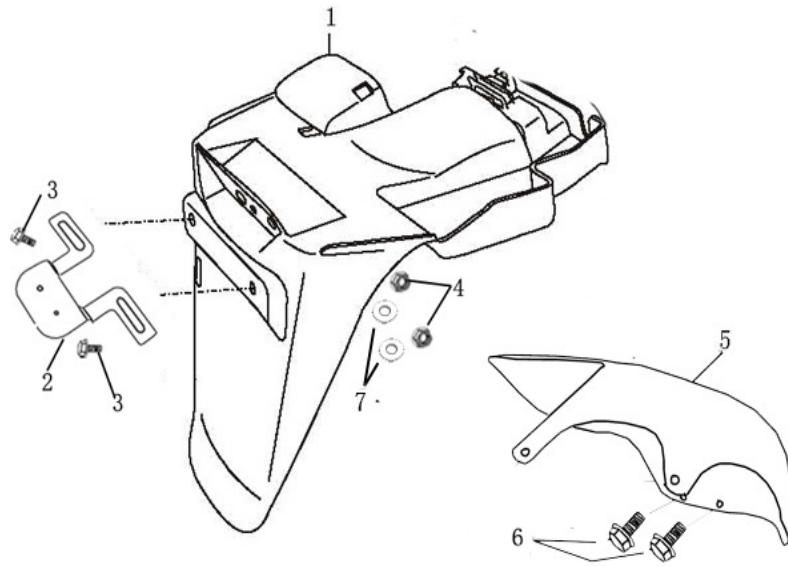
ITEM	PART NUMBER	PART NAME / DESCRIPTION	QTY
1	1010410	Front Plastic, Underseat Luggage Cabinet	1
2	1010404-2	Hook, Helmet (large)	1
3	9050606016-1	Flange Bolt, Hexagon GB/T5789-M6×16	1
4	8010806016-1	Screw, Cross Large Flat Head M6×16	1
5	8010406001-1	Nut, Square Splint M6	1
6	9111748016-1	Screw, Self-Tapping GB/T845-ST4.8×16	9
7	9170106018-1	Washer, Large GB/T96-φ6×φ18	3
8	8011042001-1	Clip, 4.2mm	6
9	1010405	Floorboard Panel	1
10	8010606016-1	Bolt, Step M6×16	4
12	1010406-2	Box, Battery	1
13	1010407	Cover, Battery Box	1
14	1210009-1	Battery 12V7AH	1
15	1210404-1	Rubber Floor Mat	1
16	1010412	Floorboard Underside	1
17	9120406012-1	Bolt with Washer, Hexagonal GB/T9074.14-M6×12	1
18	1020412	Front Cover Frame Plastic	1
19	8010106032-1	Gasket, Helmet Hook (extra large) φ6×φ32×2	1
20	9070506001-1	Flange Nut, Hexagon GB/T6177.1-M6	4
21	9111742012-1	Screw, Self-Tapping GB/T845-ST4.2×12	2
22	1010411	Button, Helmet Hook Lock	1

FRONT FENDER



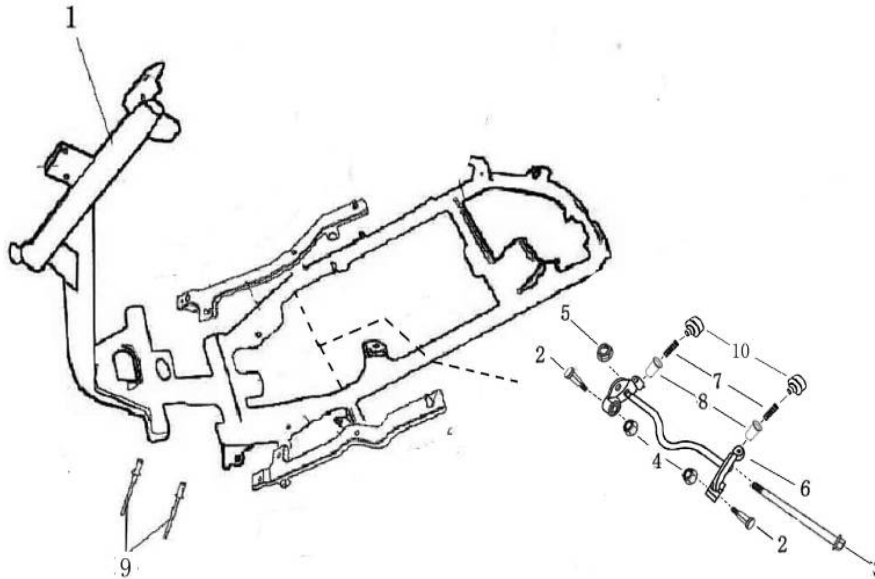
ITEM	PART NUMBER	PART NAME / DESCRIPTION	QTY
1	<i>(choose color below)</i>	Front Fender	1
	1020405 (86)-Charcoal	Front Fender - Charcoal	
	1020405 (86)-Blue	Front Fender - Blue	
	1020405 (86)-Burgundy	Front Fender - Burgundy	
2	9101506016-1	Screw, Phillips Pan Head GB/T818-M6×16	2
3	8011116005-1	Bushing φ16×5×φ10×7	2

REAR FENDER



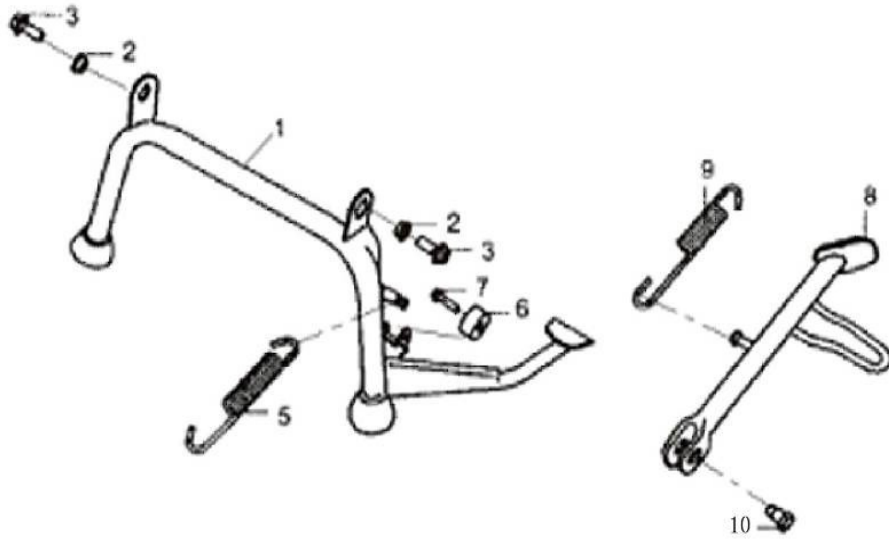
ITEM	PART NUMBER	PART NAME / DESCRIPTION	QTY
1	1010413	Rear Fender Upper	1
2	1030412-1	Bracket, License Plate	1
3	9050606012-1	Flange Bolt, Hexagon GB/T5789-M6×12	2
4	9070506001-1	Flange Nut, Hexagon GB/T6177.1-M6	2
5	1010414-2	Rear Fender Lower, Rear Wheel	1
6	9120406012-1	Bolt with Washer, Hexagonal GB/T9074.14-M6×12	2
7	9170106018-1	Washer, Large GB/T96-φ6×φ18	2

FRAME



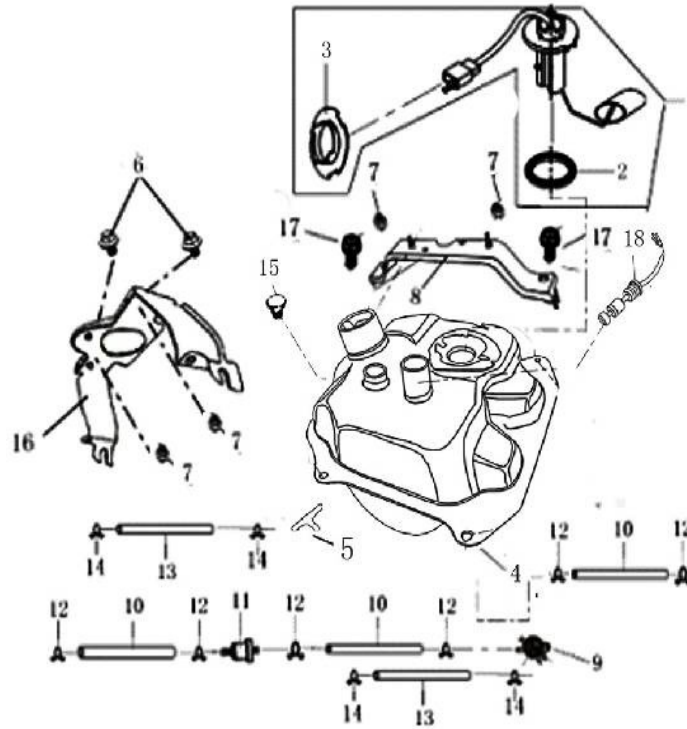
ITEM	PART NUMBER	PART NAME / DESCRIPTION	QTY
1	N/A	Frame	1
2	8011310045-1	Bolt, Hanger Square M10×45	2
3	9051612285-1	Bolt, Axis M12×285	1
4	9080710001-1	Flange Lock Nut, Hexagon GB/T6187.1-M10	2
5	9080712001-1	Flange Lock Nut, Hexagon GB/T6187.1-M12	1
6	1030403-2	Engine Hanger	1
7	1110401-1	Buffer Spring, Power Hanger	2
8	1120402-1	Buffer Spring Seat, Power Hanger	2
9	9011032009	Rivet, Nameplate GB/T12615	2
10	1120224-1	Buffer Block, Power Hanger	2

MAIN / SIDE STAND



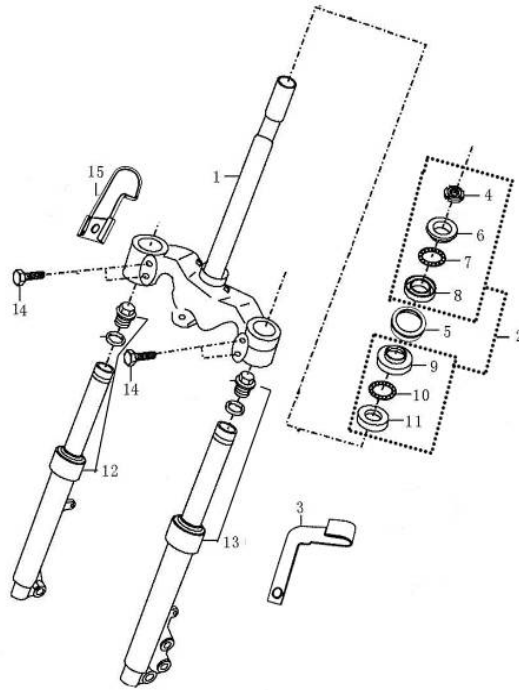
ITEM	PART NUMBER	PART NAME / DESCRIPTION	QTY
1	1030405-2	Center Main Stand (205mm)	1
2	8011722002-1	Bushin, Center Stand $\phi 22 \times 2 - \phi 16 \times 5$	2
3	9050610025-1	Flange Bolt, Hexagon GB/T5789-M10 \times 25	2
5	1110402-1	Spring, Center Stand $\phi 2.5 \times 80$ (double spring)	1
6	1120403-2	Buffer Block, Center Stand	1
7	9050606030-1	Flange Bolt, Hexagon GB/T5789-M6 \times 30	1
8	1030406-2	Side Kickstand (190mm)	1
9	1110403-1	Spring, Kickstand and Spring $\phi 2 \times 80$ (double spring)	1
10	8011510012-1	Bolt, Kickstand (step $\phi 10 \times 12 - M8 \times 12$)	1

FUEL TANK



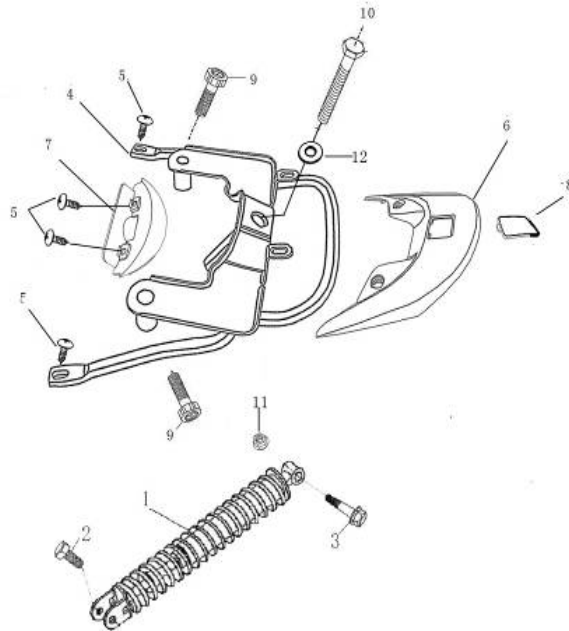
ITEM	PART NUMBER	PART NAME / DESCRIPTION	QTY
1	1170404-2	Fuel Float Assembly	1
2	2170404-1	Fuel Float Gasket	1
3	2170404-2	Fuel Float Plate	1
4	1170401-3	Fuel Tank / Gas Tank	1
5	1120405	Tee Pipe	1
6	9050606016-1	Flange Bolt, Hexagon GB/T5789-M6×16	3
7	9070506001-1	Flange Nut, Hexagon GB/T6177.1-M6	4
8	1030407-1	Pressure Plate, Fuel Tank (Seat Lock Bracket)	1
9	1170405-1	Fuel Petcock / Valve Assembly (Automatic imbibition, Trident, small)	1
10	1170406-1	Fuel Tube / Gasoline Line $\phi 10 \times \phi 5$	4
11	1170407-1	Fuel Filter	1
12	1170408-1	Circlip, $\phi 10$ (1mm)	8
13	1170406-2	Vacuum Air Tube / Negative Pressure Tube $\phi 7 \times \phi 4$	2
14	1170408-2	Circlip, $\phi 7$ (1mm)	4
15	1120404	Lid, Oil Tank	1
16	1030408-2	Bracket, Rear Baggage Rack	1
17	9050606012-1	Flange Bolt, Hexagon GB/T5789-M6×12	2
18	1170403	Oil Sensor (180mm)	1

STEERING / FRONT SHOCK ABSORBER



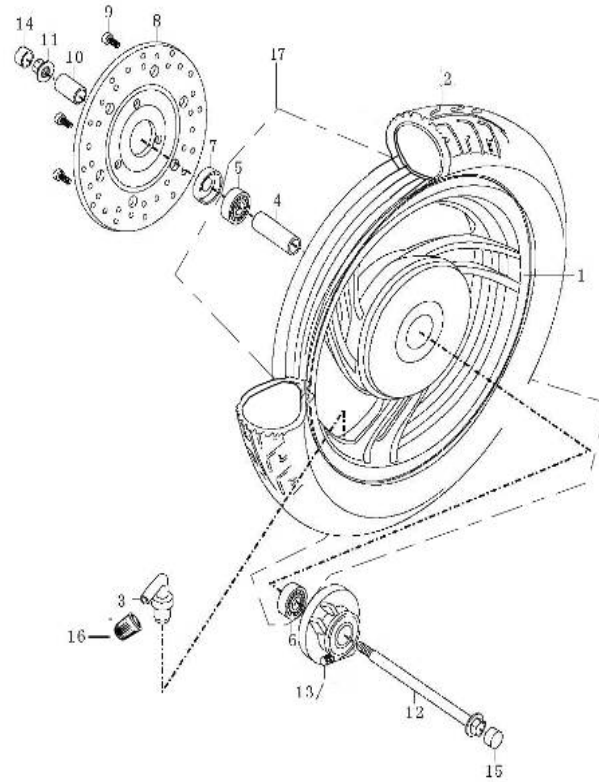
ITEM	PART NUMBER	PART NAME / DESCRIPTION	QTY
1	1030402-2	Triple Tree, Steer Stem 375mm	1
2	1090403	Triple Tree Bearings	1
3	1090405	Clamp, Fuel Tube / Oil Pipeline	1
4		Nut, Stem lock	1
5	1010420	Cover, Steel Bowl Dust	1
6		Race, Steering Outer, Upper	1
7		Ball Upper	1
8		Race, Steering Outer, Upper	1
9		Race, Steering Outer, Lower	1
10		Ball Lower	1
11		Race, Steering Outer, Lower	1
12	1090401-2	Front Right Shock Absorber 385mm	1
13	1090402-2	Front Left Shock Absorber 385mm	1
14	9050608040-1	Flange Bolt, Hexagon GB/T5789-M8×40 M8×40	4
15	1090406	Clamp, Speedmeter Cable	1

REAR BAGGAGE RACK



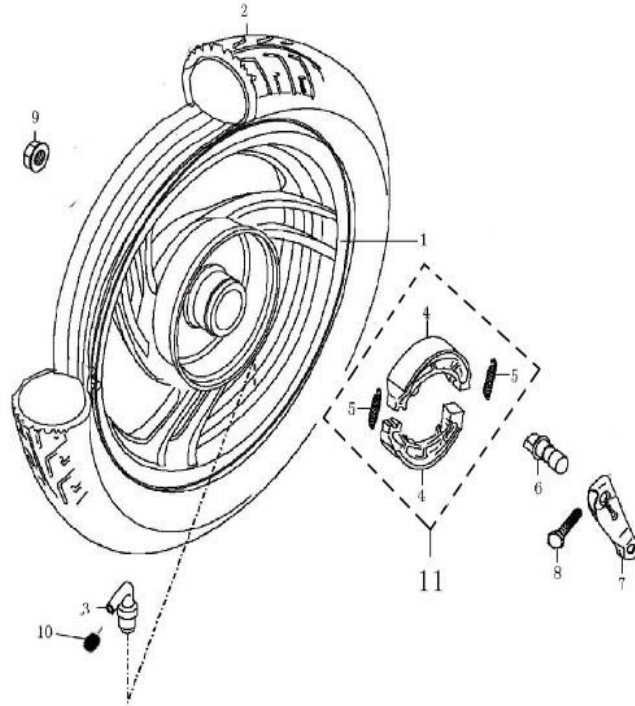
ITEM	PART NUMBER	PART NAME / DESCRIPTION	QTY
1	1100404-2	Rear Shock Absorber (290mm ϕ 7.5 mm)	1
2	9030908032-3	Bolt, Hex Head GB/T5780-M8 \times 32	1
3	9050610040-1	Flange Bolt, Hexagon GB/T5789-M10 \times 40	1
4	1030411-2	Spoiler / Rear Baggage Rack	1
5	9111742012-1	Screw, Self-Tapping GB/T845-ST4.2 \times 12	4
6	1020413	Spoiler Plastic, black	1
6A	1020413	Front decorate Rear Baggage Rack,white (Spoiler Plastic, white)	1
7	1020413	Small decorate Rear Baggage Rack,black	1
8	1010422	Spoiler Plastic Trim, black	1
9	9021108045-5	Screw, Hexagon Socket Type Pan Head GB/T2672-M8 \times 45	2
10	9091208085-5	Screw, Hexagon Socket Head Cap GB/T70.1-M8 \times 85	1
11	9080710001-1	Flange Lock Nut, Hexagon GB/T6187.1-M10	1
12	9181308016-1	Flat Washer GB/T97- ϕ 8 \times ϕ 16	1

FRONT WHEEL



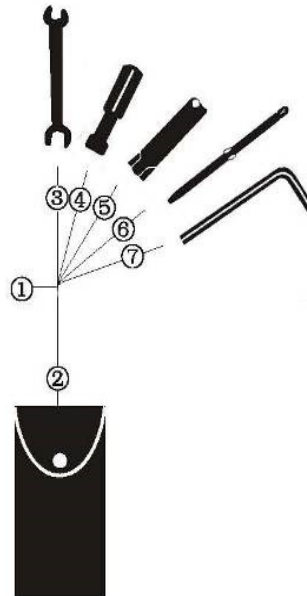
ITEM	PART NUMBER	PART NAME / DESCRIPTION	QTY
1	1040101-1	Rim, Front Wheel 2.15-10 (Alu, disc break)	1
2	1040502-2	Tire, Front Wheel 3.50-10 (CST)	1
3	1040501-1	Valve Stem	1
4	2040201-1	Spacer (φ18×φ14×50.5)	1
5	2040201-2	Ball Bearing, Deep Groove GB/T276-6300-2RS	1
6	2040201-2	Ball Bearing, Deep Groove GB/T276-6300-2RS	1
7	2040201-3	Oil Seal, 20-35-7	1
8	1090407-1	Brake Disc Assembly, Front Wheel φ155×3.5	1
9	2090407-1	Screw, Hexagon Flower-Shaped Pan Head GB/T2672-M8×25	3
10	2090408-2	Bushing φ10×φ20×20	1
11	9080710001-1	Flange Lock Nut, Hexagon GB/T6187.1-M10	1
12	2090408-1	Axis M10×205	1
13	1090408-1	Speedo Hub	1
14	1120406-2	Sleeve, Front Axle Protection	1
15	1120406-1	Cap, Axle Protection Cover	1
16	2040501-1	Cap, Tubeless Valve	1
17	2040001	Front Wheel Assembly (including 1, 2, 3, 4, 5, 6, 7, 16)	1

REAR WHEEL



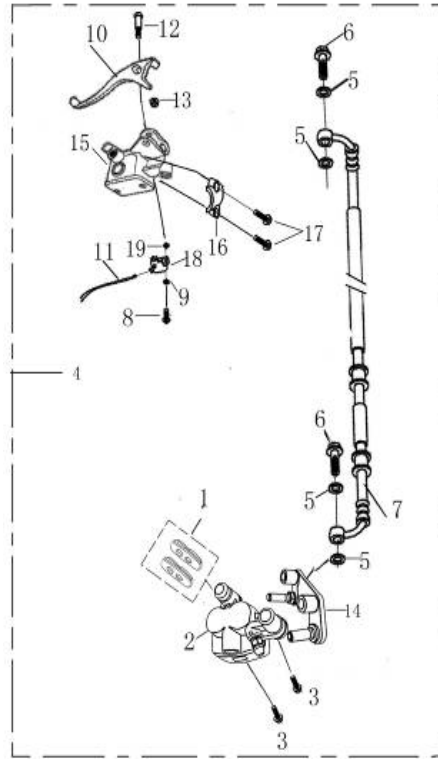
ITEM	PART NUMBER	PART NAME / DESCRIPTION	QTY
1	1040301-1	Rim, Rear Wheel 2.15-10	1
2	1040502-2	Tire, Rear Wheel 3.50-10	1
3	1040501-1	Valve Stem	1
4	2100403-1	Brake Shoes Set, Rear Brake (φ100mm)	2
5	2100403-2	Hoof Block Spring, Brake Shoes	2
6	2100403-3	Camshaft, Rear Brake	1
7	2100403-4	Rocker, Rear Brake	1
8	9050606035-1	Flange Bolt, Hexagon GB/T5789-M6×35	1
9	9080716001-1	Flange Lock Nut, Hexagon Face GB/T6187.1-M16	1
10	2040501-1	Cap, Valve Stem	1
11	1100403-1	Brake Shoes Assembly, Rear Brake	1

TOOLS ASSEMBLY



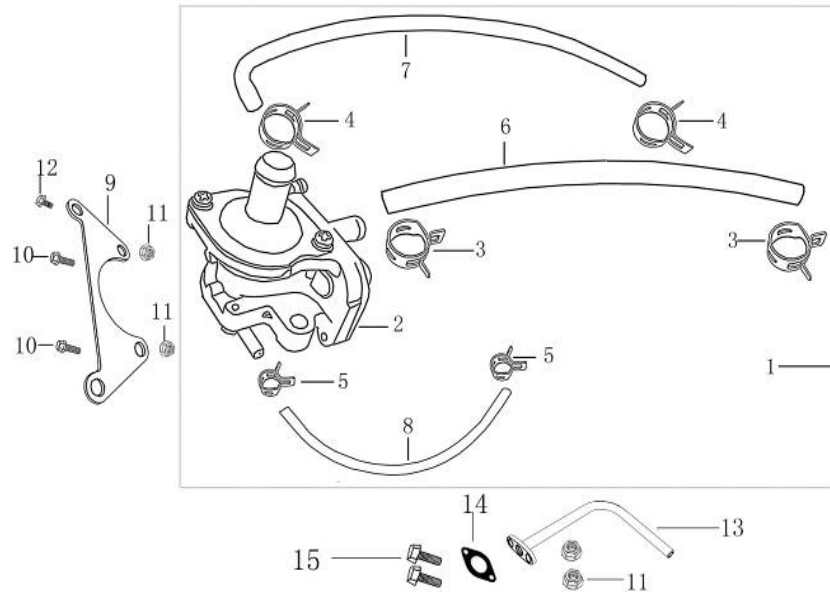
ITEM	PART NUMBER	PART NAME / DESCRIPTION	QTY
1	1210008-1	Tools Assembly (2stroke)	1
2		Tools Bag	1
3		Double Ended Spanner 10-12	1
4		Double Ended Screw DriverSocket	1
5		Spark Plug Socket	1
6		Double Ended Screw Driver	1
7		Inner Hex Spanner	1
8	1210407-3	Manual	1

FRONT HYDRAULIC BRAKE



ITEM	PART NUMBER	PART NAME / DESCRIPTION	QTY
1	2090404-2	Brake Friction Plate	1
2	2090404-4	Caliper, Front Brake (double pump)	1
3	9050608030-1	Flange Bolt, Hexagon GB/T5789-M8x30	2
4	1090404-2	Front Disc Hydraulic Brake System (black handle, double pump)	1
5	2090404-9	Gasket, Copper Washer	4
6	2090404-10	Connecting Bolt, Front Brake Tubing	2
7	2090404-11	Front Hydraulic Hose Line, Front Brake (900mm)	1
8	2090404-19	Screw, Phillips Pan Head GB/T818-M4x12	1
9	2090404-21	Spring Washer, GB/T93-φ4	1
10	2090404-12	Lever, Right Brake Handle	1
11	2090404-13	Wire Cable, Front Brake Switch	1
12	2090404-17	Bolt, Brake Lever, Hex Head GB/T5781-M6x30	1
13	2090404-18	Nut, Hexagon Lock GB/T6184-M6	1
14	2090404-7	Bracket, Front Brake Caliper (double pump)	1
15	2090404-4	Front Brake Caliper / Hydraulic Cylinder	1
16	2090404-15	Block / Cap, Disc Brake Pump	1
17	2090404-16	Bolt, Briquetting M6x22	2
18	2090404-14	Switch, Right Brake (Front)	1
19	2090404-20	Washer, Flat GB/T95-φ4xφ8	1

RECYCLING GASES VALVE



ITEM	PART NUMBER	PART NAME / DESCRIPTION	QTY
1	1210001-1	Secondary Air Supply Valve Assembly	1
2	2210001-1	Secondary Air Supply Valve	1
3	2210001-3	Clamp, $\phi 16\text{mm}$	2
4	2210001-5	Clamp, $\phi 13\text{mm}$	2
5	2210001-6	Clamp, $\phi 7\text{mm}$	2
6	2210001-2	Tube, High Temperature ($\phi 17 \times \phi 9$)	1
7	2210001-4	Tube, High Temperature ($\phi 14 \times \phi 10$)	1
8	2210001-4	Pipe	1
9	2210001-8	Bracket, Secondary Air Valve	1
10	9050606020-1	Flange Bolt, Hexagon GB/T5789-M6 \times 20	2
11	9070506001-1	Flange Nut, Hexagon GB/T6177.1-M6	4
12	9050606012-1	Flange Bolt, Hexagon GB/T5789-M6 \times 12	1
13	2210001-9	Air Valve Elbow	1
14	2210001-10	Air Valve Gasket	1
15	9050606016-1	Bolt, Hexagon GB/T5789-M6 \times 16	2