



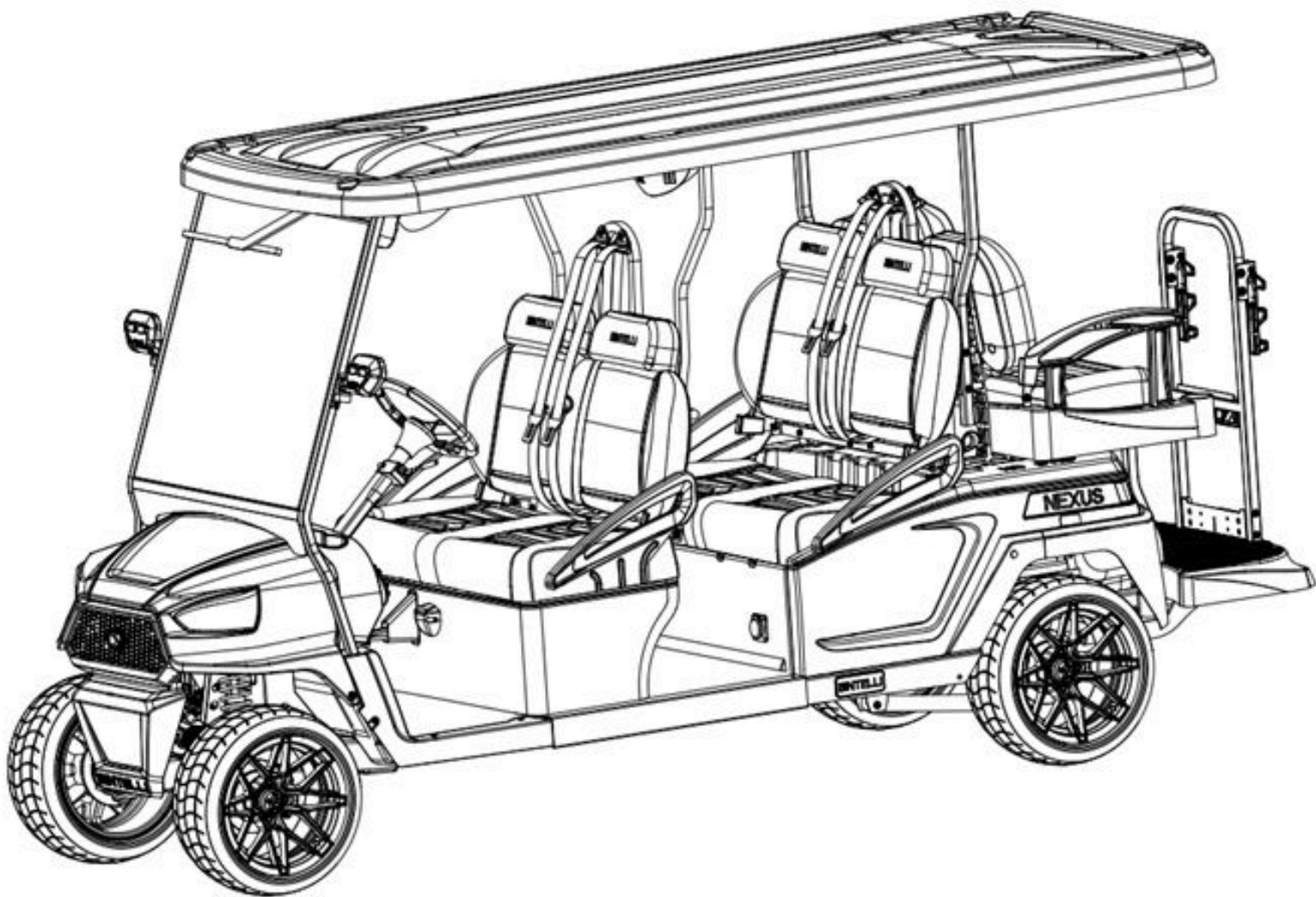
# NEXUS 6P PARTS MANUAL



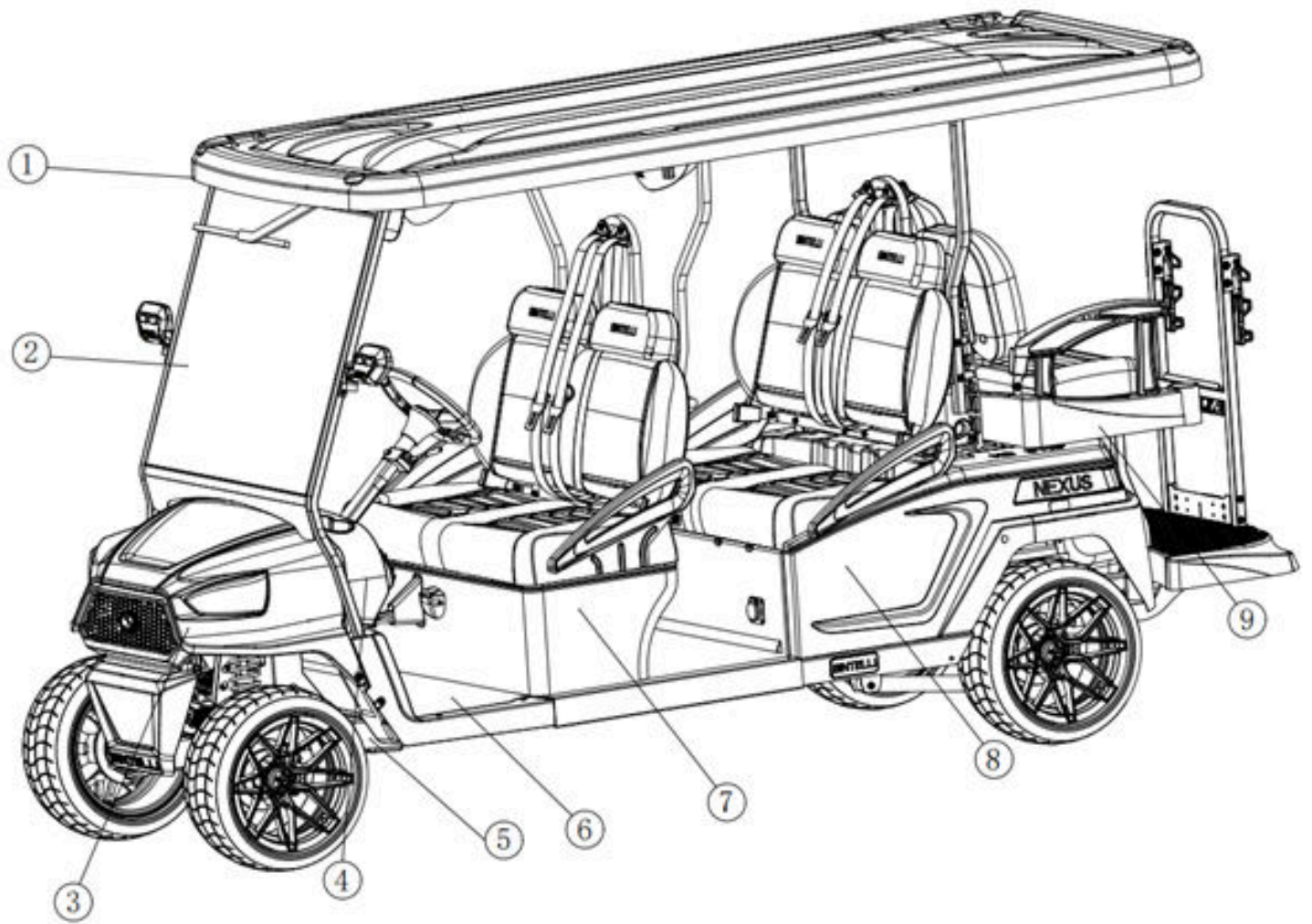
(866) 542-8677



support@bintelli.com



# **NEXUS 6 PASSENGER PARTS MANUAL**



## NEXUS 6 PASSENGER PARTS

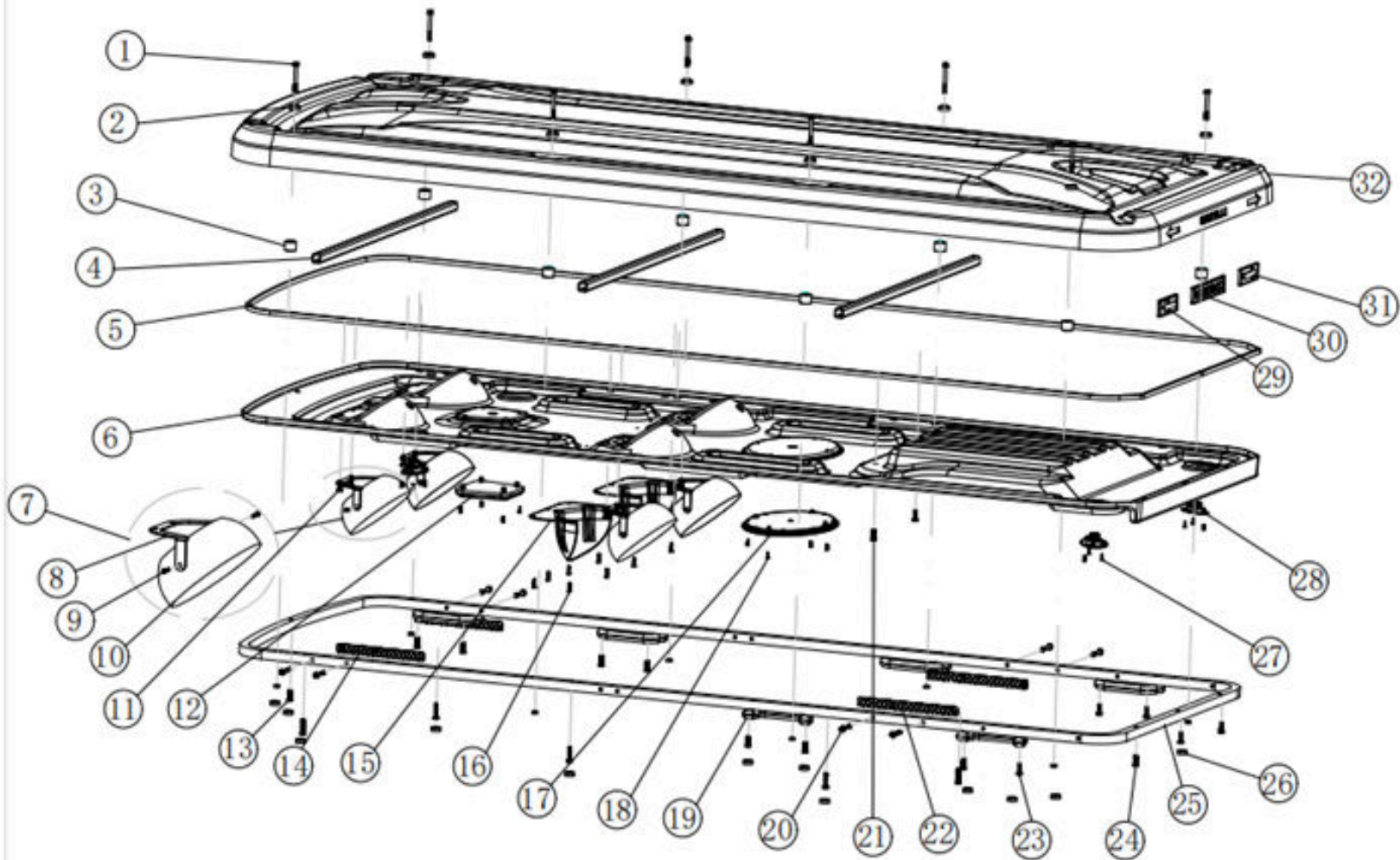
|   |                  |
|---|------------------|
| 1 | Roof             |
| 2 | Windshield       |
| 3 | Front Body Panel |
| 4 | Dash Panel       |
| 5 | Chassis          |
| 6 | Front Underbody  |
| 7 | Seat             |
| 8 | Rear Body Panel  |
| 9 | Backward Seat    |

# MENU

|                                 |    |
|---------------------------------|----|
| Menu.....                       | 1  |
| Roof.....                       | 2  |
| Roof Continued.....             | 4  |
| Windshield.....                 | 6  |
| Windshield Continued.....       | 8  |
| Front Body Panel.....           | 10 |
| Front Body Panel Continued..... | 12 |
| Dash Panel.....                 | 14 |
| Dash Panel Continued.....       | 16 |
| Chassis.....                    | 18 |
| Chassis Continued.....          | 20 |
| Front Suspension Parts .....    | 22 |
| Front Axle LH.....              | 24 |
| Front Axle LH Continued.....    | 26 |
| Front Axle RH.....              | 28 |
| Front Axle RH Continued.....    | 30 |
| Rear Axle Tube.....             | 32 |
| Rear Axle Tube.....             | 34 |
| Rear Axle Parts.....            | 36 |
| Front Underbody.....            | 38 |
| Front Underbody Continued.....  | 40 |
| Front Seat.....                 | 42 |
| Front Seat Continued.....       | 44 |
| Front Seat Continued.....       | 46 |
| Rear Body Panel.....            | 48 |
| Rear Body Panel Continued.....  | 50 |
| Rear Body Panel Continued.....  | 52 |
| Backward Seat.....              | 54 |
| Backward Seat Continued.....    | 56 |
| Backward Seat Continued.....    | 58 |
| Backward Seat Continued.....    | 60 |
| Backward Seat Continued.....    | 62 |
| Four Wheel Disc Brake.....      | 64 |



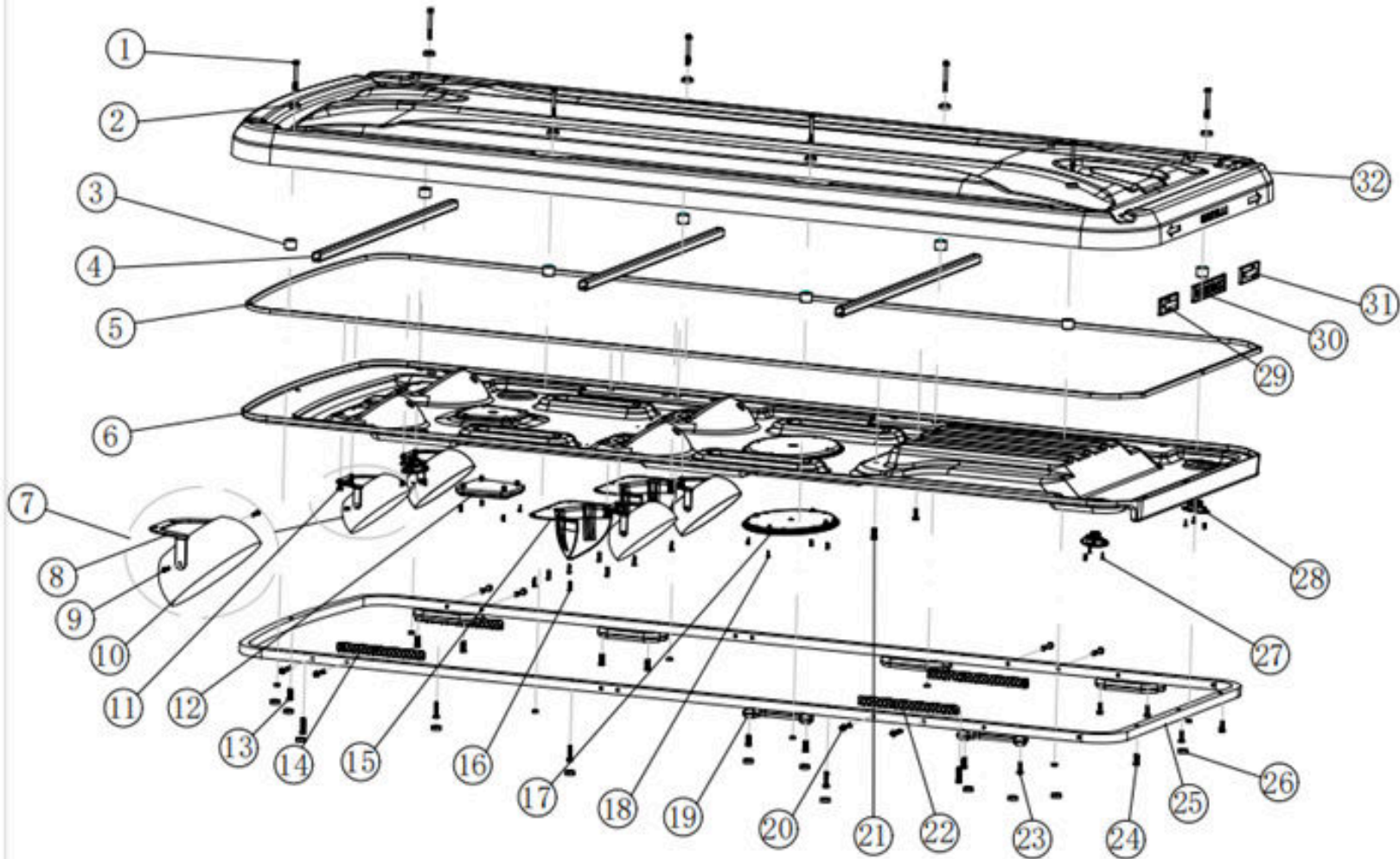
# ROOF PARTS DIAGRAM



## 6P ROOF PARTS

| NO. | DESCRIPTION   | PART NUMBER     | PCS | MEMO   |
|-----|---|-----------------|-----|--------|
| 1   | Screw Flange M8*85                                      | 4.03.02.01.026  | 8   |        |
| 2   | Roof Gasket (Up)  | 4.05.01.42.016  | 16  | TPU    |
| 3   | Roof Gasket (Down)                                      | 4.05.01.42.017  | 8   | TPU    |
| 4   | 6P Roof Support   | 3.02.01.69.017  | 3   | BN     |
| 5   | Nexus Light Bar   | 4.04.06.12.137  | 1   |        |
| 6   | 6P Roof Frame   | 4.05.01.42.055  | 1   |        |
| 7   | Fan   | *FULL ASSEMBLY* | 1   |        |
| 8   | Fan Support   | 3.02.01.69.015  | 4   | BN     |
| 9   | Large Flat Head Cross Self-Tapping Screws M4*16         | 4.03.03.07.012  | 8   |        |
| 10  | Fan   | 4.04.06.37.015  | 4   | BN     |
| 11  | Screw Flange M8*25                                      | 4.03.02.01.015  | 8   |        |
| 12  | Roof Light  | 4.04.06.12.126  | 1   | BN     |
| 13  | Screw Flange M8*65                                      | 4.03.02.01.082  | 6   |        |
| 14  | Roof Gasket 24*260                                      | 4.05.04.03.081  | 2   | 24*260 |
| 15  | Fan Protect Panel                                       | 4.05.01.41.047  | 2   | BN     |
| 16  | Inner Hexagon Large Flat Head Self-Tapping Screws M5*16 | 4.03.03.06.024  | 10  |        |
| 17  | Logo Light  | 4.04.06.12.127  | 1   | BN     |

# ROOF PARTS DIAGRAM CONTINUED

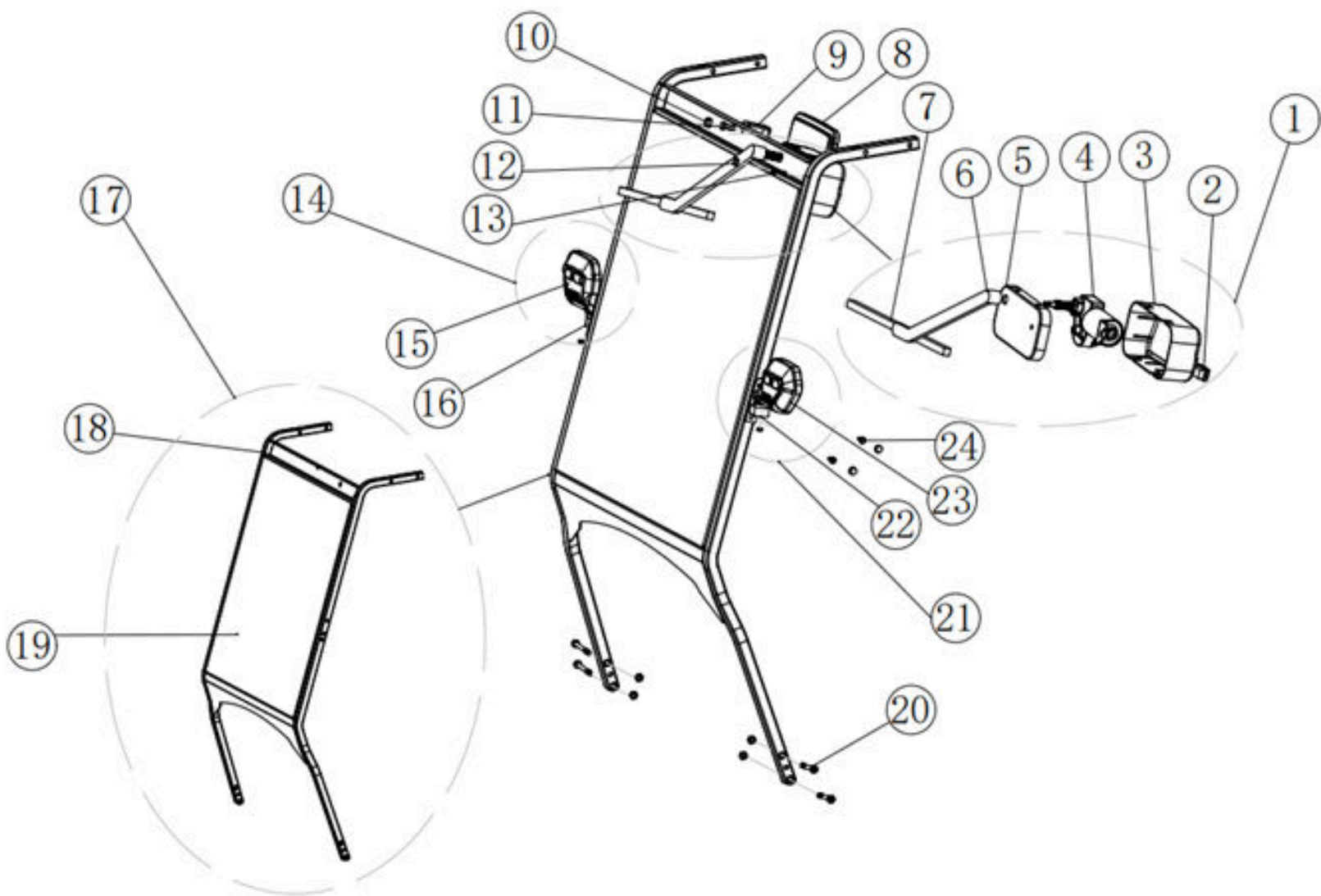


## 6P ROOF PARTS CONTINUED

| NO. | DESCRIPTION                                   | PART NUMBER   | PCS | MEMO |
|-----|---|---|-----|------|
| 18  | Hexagonal Large Flat Head Machine Nails M5*16 | 4.03.03.03.065  | 8   |      |
| 19  | Handle  | 4.05.01.09.007  | 5   |      |
| 20  | Flange Screws M8*70                           | 4.03.02.01.023  | 8   |      |
| 21  | Screw Flange M8*20                            | 4.03.02.01.014  | 2   |      |
| 22  | Roof Gasket 24*300                            | 4.05.04.03.082  | 2   |      |
| 23  | Flange Screws M6*45                           | 4.03.02.01.009  | 10  |      |
| 24  | Flange Screws M8*40                           | 4.03.02.01.008  | 4   |      |
| 25  | Roof 6P Support                               | 3.02.01.69.016  | 1   | BN   |
| 26  | Screw Cap M8                                  | 4.05.04.04.008  | 36  |      |
| 27  | Cross Pan Head Machine Nail M4*10             | 4.03.03.08.028  | 14  |      |
| 28  | Roof Speaker BN                               | 4.04.06.37.007  | 4   | BN   |
| 29  | Roof Turn Light/LH                            | 4.04.06.12.141  | 1   | BN   |
| 30  | Roof Brake Light                              | 4.04.06.12.128  | 1   | BN   |
| 31  | Roof Turn Light/RH                            | 4.04.06.12.142  | 1   | BN   |
| 32  | 4+2 Roof (NOTE COLOR WHEN ORDERING)           | 2.01.03.03.014-Bright Red<br>2.01.03.03.014-Charcoal<br>2.01.03.03.014-Hydro Blue<br>2.01.03.03.014-Mint<br>2.01.03.03.014-Ocean Blue<br>2.01.03.03.014-White | 1   | BN   |
| *   | Lock Nut M8*1.25                              | 4.03.04.01.003  | 36  |      |
| *   | Lock Nut M6*1.25                              | 4.03.04.01.001  | 10  |      |
| *   | Nut Cap M8                                    | 4.05.04.04.009  | 8   |      |
| *   | Nut cap M6                                    | 4.05.04.04.007  | 10  |      |



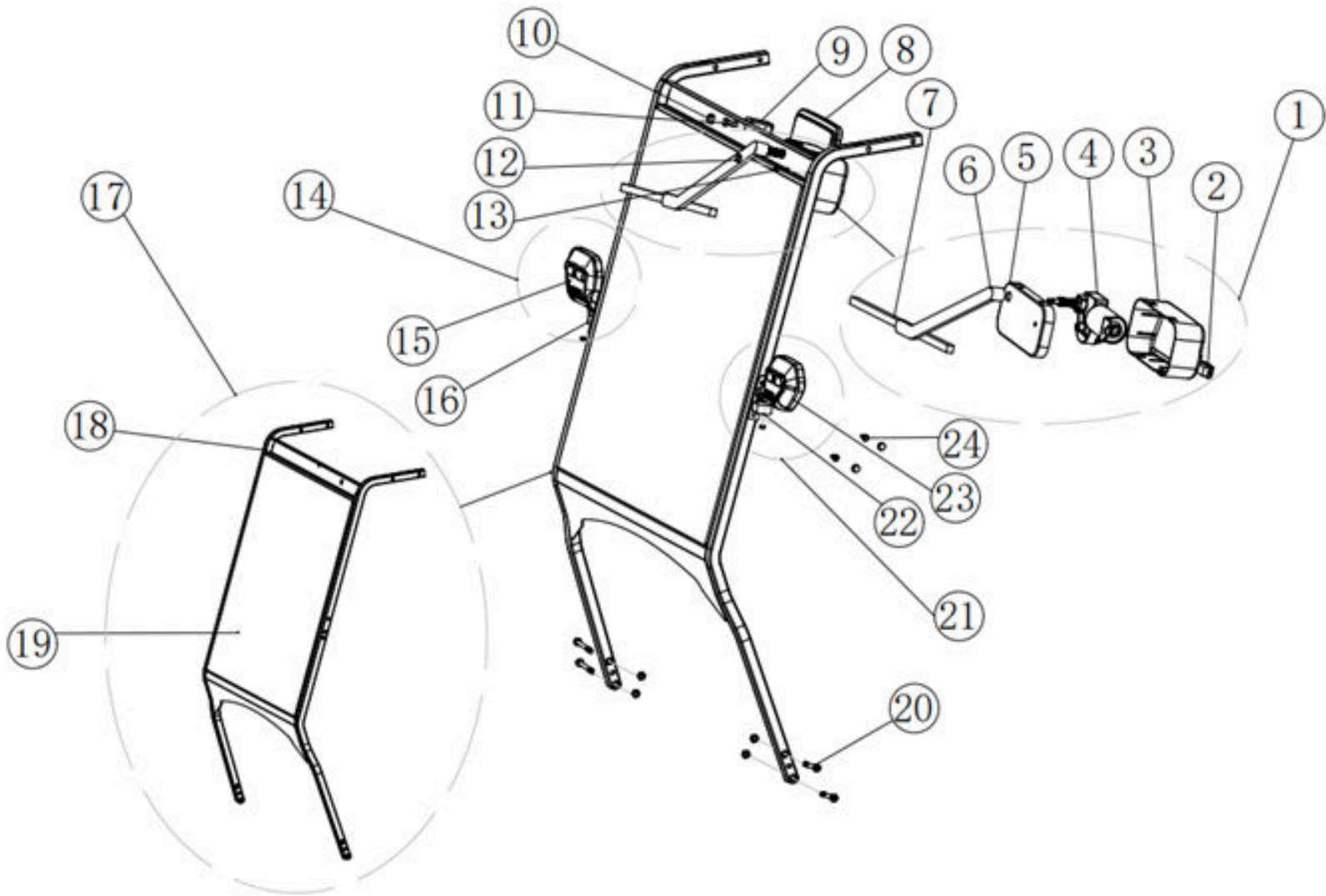
# WINDSHIELD PARTS DIAGRAM



## WINDSHIELD PARTS

| NO. | DESCRIPTION                        | PART NUMBER     | PCS | MEMO                           |
|-----|------------------------------------|-----------------|-----|--------------------------------|
| 1   | Wiper Assembly                     | *FULL ASSEMBLY* | 1   | ZD1430R 12V90                  |
| 2   | Wiper Switch                       | 4.04.02.01.063  | 1   |                                |
| 3   | Wiper Motor Tray                   | 4.05.01.03.017  | 1   |                                |
| 4   | Wiper Motor                        | 4.04.02.03.013  | 1   | 40W, 90°                       |
| 5   | Wiper Motor<br>Installation Seat   | 3.05.01.180     | 1   | <u>*PART OF FULL ASSEMBLY*</u> |
| 6   | Wiper Arm                          | 4.04.14.02.024  | 1   | M Type                         |
| 7   | Wiper Blade                        | 4.04.02.03.002  | 1   | A Type                         |
| 8   | Standard Center Mirror             | 4.05.01.13.006  | 1   |                                |
| 9   | Middle Mirror Support              | 3.02.01.69.018  | 1   | BN                             |
| 10  | Screw Cap M8                       | 4.05.04.04.008  | 1   |                                |
| 11  | Screw Flange M8*20                 | 4.03.02.01.014  | 1   |                                |
| 12  | Nut Cap M6                         | 4.05.04.04.006  | 5   |                                |
| 13  | Flange Screws M8*16                | 4.03.02.01.003  | 1   |                                |
| 14  | Side Mirror/RH With Turn<br>Signal | 4.04.06.12.140  | 1   |                                |

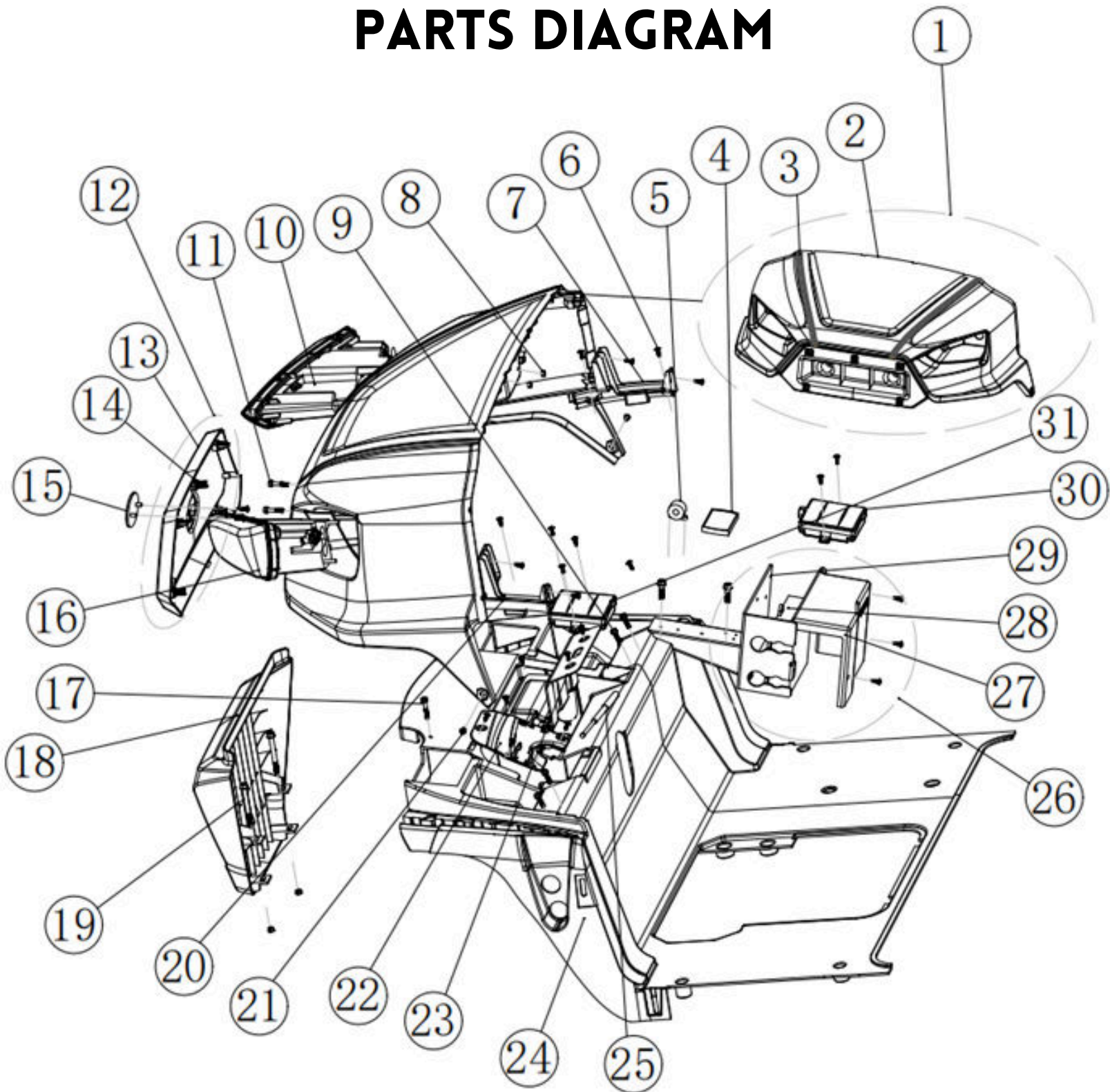
# WINDSHIELD PARTS DIAGRAM CONTINUED



## WINDSHIELD PARTS CONTINUED

| NO. | DESCRIPTION                              | PART NUMBER     | PCS | MEMO       |
|-----|--|-----------------|-----|------------|
| 15  | Side Mirror/R                            | *FULL ASSEMBLY* | 1   | BN         |
| 16  | Side Mirror Base/R                       | 4.05.01.41.057  | 1   | BN         |
| 17  | Laminated Windshield<br>Bracket Assembly | *FULL ASSEMBLY* | 1   | BN4        |
| 18  | Windshield Frame                         | 3.02.01.69.007  | 1   |            |
| 19  | Laminated Windshield                     | 4.05.02.01.021  | 1   | M4 870*800 |
| 20  | Screw Flange M8*85                       | 4.03.02.01.026  | 4   |            |
| 21  | Side Mirror/LH With Turn<br>Signal       | 4.04.06.12.139  | 1   |            |
| 22  | Side Mirror/L                            | *FULL ASSEMBLY* | 1   | BN         |
| 23  | Side Mirror Base/L                       | 4.05.01.41.058  | 1   | BN         |
| 24  | Screw Flange M6*25                       | 4.03.02.01.005  | 4   |            |
| *   | Lock Nut M8*1.25                         | 4.03.04.01.003  | 6   |            |
| *   | Nut Cap M8                               | 4.05.04.04.009  | 2   |            |
| *   | Nexus Pipe                               | 4.05.04.03.055  | 2   |            |

# FRONT BODY PANEL PARTS DIAGRAM

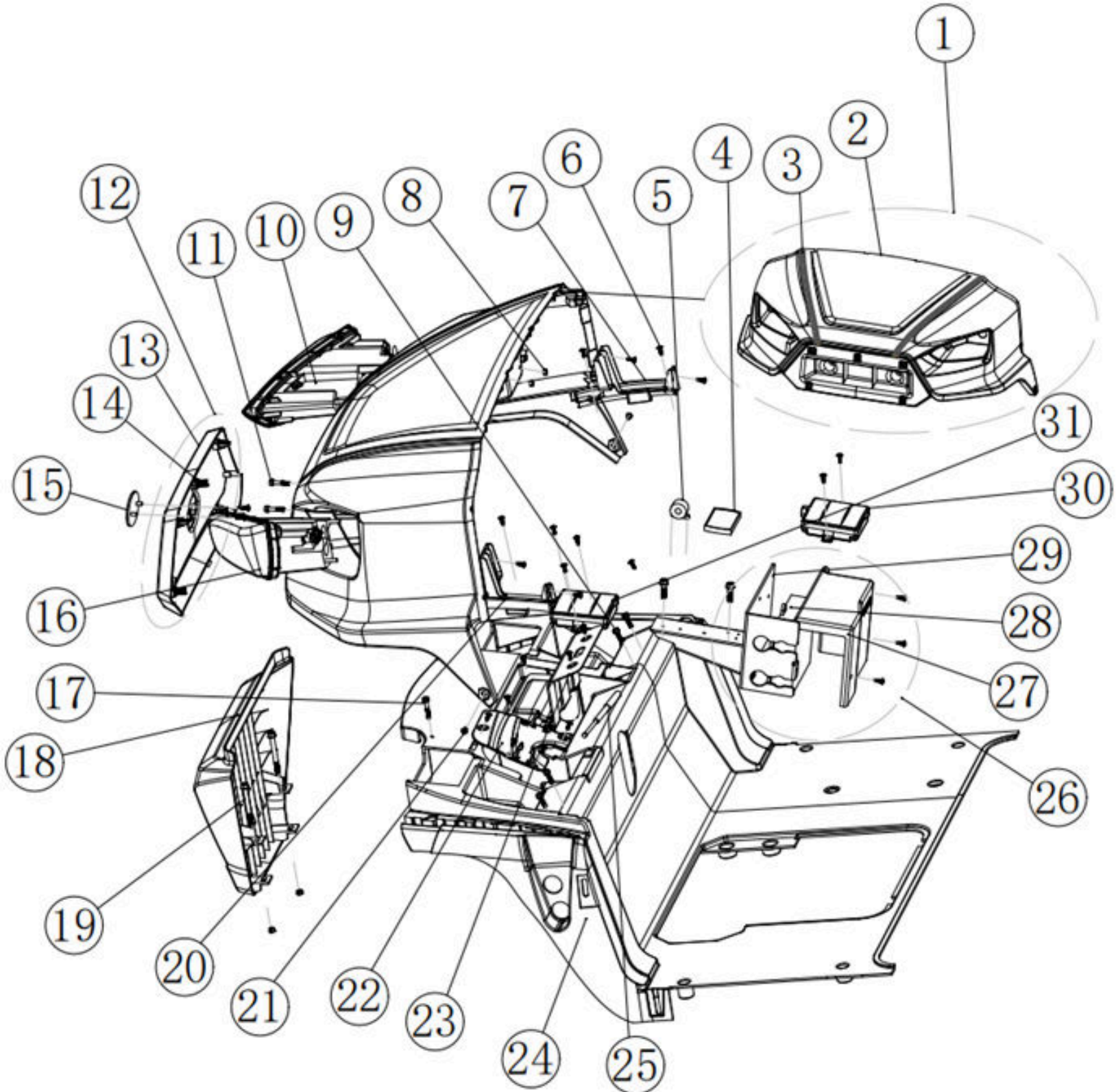


## FRONT BODY PANEL PARTS

| NO. | DESCRIPTION   | PART NUMBER   | PCS | MEMO   |
|-----|---|---|-----|--------|
| 1   | Front Cowl Assembly                                     | *FULL ASSEMBLY*   | 1   | BN     |
| 2   | Front Cowl (Not Color When Ordering)                    | 3.06.06.08.001-Bright Red<br>3.06.06.08.001-Charcoal<br>3.06.06.08.001-Hydro Blue<br>3.06.06.08.001-Mint<br>3.06.06.08.001-Ocean Blue<br>3.06.06.08.001-White | 1   | BN     |
| 3   | Door Belt Sticker                                       | 4.05.03.01.040  | 2   |        |
| 4   | 12V Relay (For High Light)                              | 4.04.14.02.020  | 1   | M Type |
| 5   | Reverse Horn (Buzzer)                                   | Reverse-Buzzer  | 1   | G14    |
| 6   | Inner Hexagon Large Flat Head Self-Tapping Screws M5*16 | 4.03.03.06.024  | 6   |        |
| 7   | Front Support/RH  | 4.05.01.41.020  | 1   | BN     |
| 8   | Nylon Outer Hexagonal Self-Locking Nut M6               | 4.03.04.04.022  | 6   |        |
| 9   | Hex Self-tapping Screw 12*1 1/2                         | 4.03.02.06.012  | 9   |        |
| 10  | LED Light/RH  | 4.04.06.12.123  | 1   | BN     |
| 11  | Screw Flange M6*20                                      | 4.03.02.01.004  | 7   |        |
| 12  | Grill Assembly  | *FULL ASSEMBLY*   | 1   | BN     |
| 13  | Grill   | 4.05.01.41.017  | 1   | BN     |
| 14  | Square Buckle   | 4.05.01.29.070  | 5   | G14    |
| 15  | Front Logo  | 2.01.02.07.113  | 1   | BN     |
| 16  | LED Light/LH  | 4.04.06.12.122  | 1   | BN     |



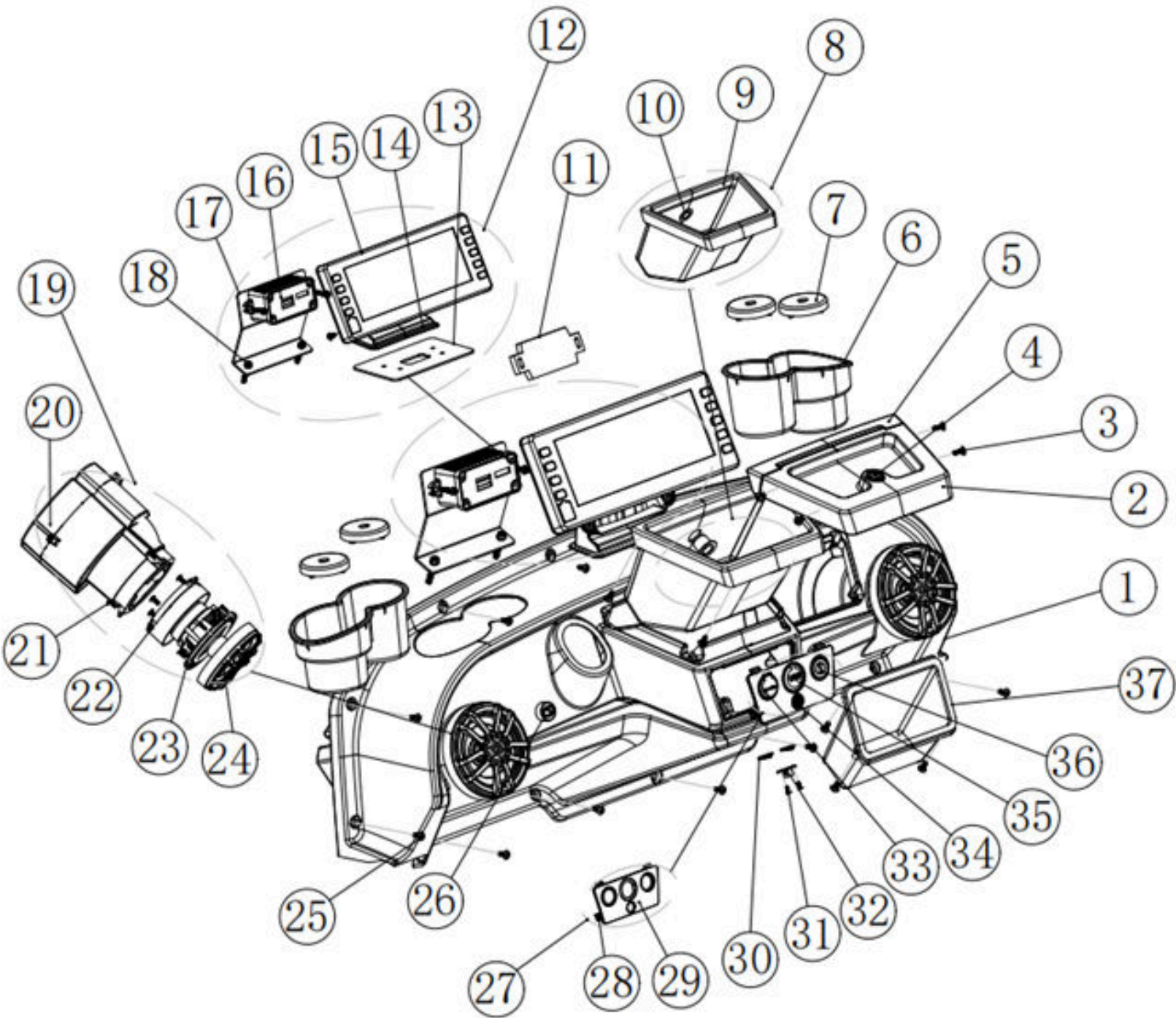
# FRONT BODY PANEL PARTS DIAGRAM CONTINUED



## FRONT BODY PANEL PARTS CONTINUED

| NO. | DESCRIPTION   | PART NUMBER     | PCS | MEMO   |
|-----|---|-----------------|-----|--------|
| 17  | Screw Flange M6*30  | 4.03.02.01.006  | 2   |        |
| 18  | Bumper/Plastic  | 4.05.01.41.018  | 1   | BN     |
| 19  | Screw Flange M8*90  | 4.03.02.01.027  | 2   |        |
| 20  | Front Support/LH  | 4.05.01.41.019  | 1   | BN     |
| 21  | Plastic Nail C633   | 4.05.04.05.006  | 2   |        |
| 22  | Steering Column Lower<br>Cover Plate                                | 4.05.01.33.082  | 1   | M Type |
| 23  | Disc Brake Pedal Frame<br>Cover                                     | 4.05.01.01.068  | 1   | D-A    |
| 24  | Front Underbody   | 4.05.01.01.043  | 1   | A Type |
| 25  | Radio Cable   | 4.04.03.10.021  | 1   | 0.6M   |
| 26  | Fuse Box Assembly   | *FULL ASSEMBLY* | 1   | BN     |
| 27  | Fuse Box Lid  | 4.05.01.33.037  | 1   | M Type |
| 28  | Fuse Box Assembly   | 4.04.14.03.002  | 1   | M Type |
| 29  | Fuse Box Plate  | 3.05.40.012     | 1   | BN     |
| 30  | Roof Fan Switch   | 4.04.06.13.071  | 1   | BN     |
| 31  | Lights Controller Plates  | 4.04.06.13.070  | 1   | BN     |
| *   | Lock Nut M6*1.25  | 4.03.04.01.001  | 6   |        |
| *   | Inner Hexagon Large Flat<br>Head Self-Tapping Screws<br>M5*16/Black | 4.03.03.15.038  | 8   |        |
| *   | Flat Washer M6*18*1.5   | 4.03.05.03.010  | 6   |        |
| *   | Flange Screws M6*16   | 4.03.02.01.003  | 3   |        |

# DASH PANEL PARTS DIAGRAM

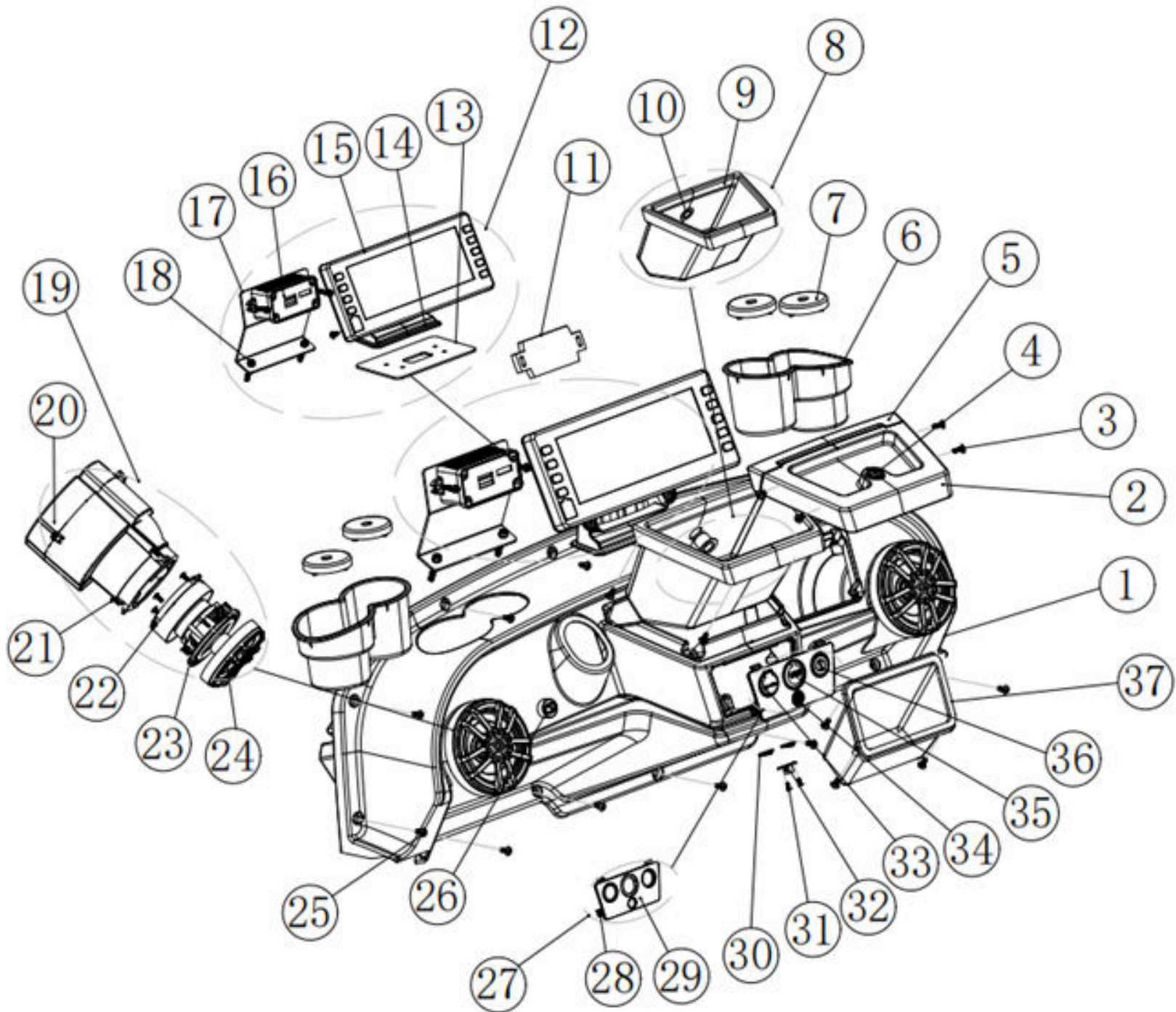


## DASH PANEL PARTS

| NO. | DESCRIPTION   | PART NUMBER     | PCS | MEMO |
|-----|---|-----------------|-----|------|
| 1   | Dash Panel  | 4.05.01.41.021  | 1   | BN   |
| 2   | Storage Box Cover Base                                  | 4.05.01.41.032  | 1   | BN   |
| 3   | Large Flat Head Cross Self-Tapping Screws M4*16         | 4.03.03.07.012  | 4   |      |
| 4   | Ignition  | 4.04.02.02.020  | 1   |      |
| 5   | Storage Box Cover                                       | 4.05.01.41.031  | 1   | BN   |
| 6   | Cup Holder  | 4.05.01.41.022  | 2   | BN   |
| 7   | Cup Holder Mat  | 4.04.06.37.001  | 4   |      |
| 8   | Middle Storage Bucket Assembly                          | *FULL ASSEMBLY* | 1   | BN   |
| 9   | Storage Box/Middle                                      | 4.05.01.41.024  | 1   | BN   |
| 10  | Storage Box Light                                       | 4.04.06.37.014  | 1   |      |
| 11  | Cup Light Control Panel /1 m                            | 4.04.06.13.067  | 1   | BN   |
| 12  | 10.3" Display Assembly                                  | *FULL ASSEMBLY* | 1   |      |
| 13  | 10.3" Display Fixing Plate/Alu                          | 3.05.80.027     | 1   |      |
| 14  | 10.3" Display Rear Support                              | 4.05.01.41.030  | 1   |      |
| 15  | 10.3" Display   | 4.04.06.37.004  | 1   |      |
| 16  | 10.3" Display Amplifier Assembly                        | 4.04.06.37.005  | 1   |      |
| 17  | 10.3" Display Amplifier Housing Mounting Plate/Aluminum | 3.05.01.540     | 1   |      |
| 18  | Screw Flange M6*25                                      | 4.03.02.01.005  | 2   |      |
| 19  | Dash Speaker  | 4.04.06.37.011  | 1   | BN   |
| 20  | Front Speaker Chamber                                   | 2.01.03.04.025  | 2   | BN   |



# DASH PANEL PARTS DIAGRAM CONTINUED

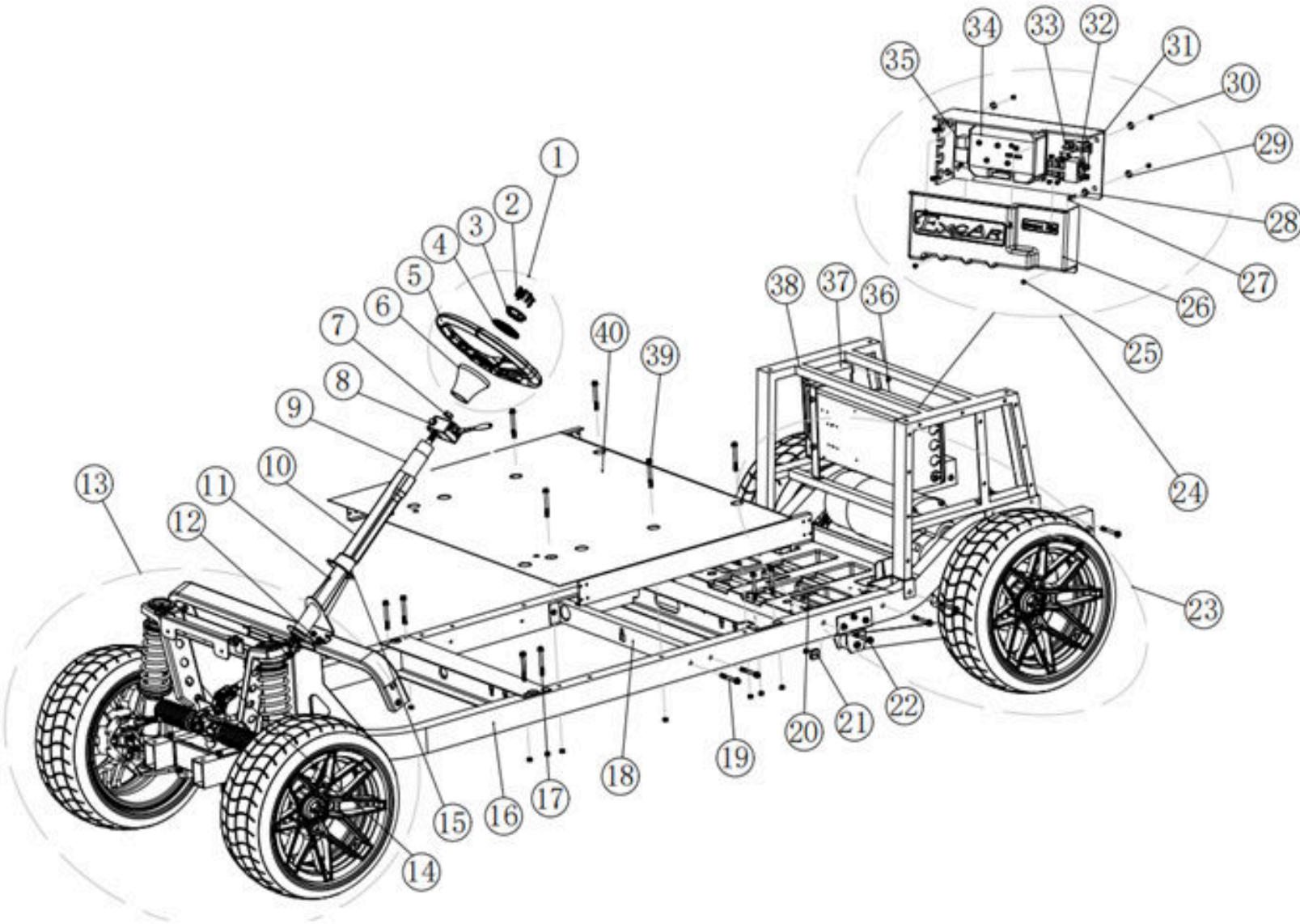


## DASH PANEL PARTS CONTINUED

| NO. | DESCRIPTION  | PART NUMBER     | PCS | MEMO   |
|-----|--|-----------------|-----|--------|
| 21  | Inner Hexagon Large Flat Head Self-Tapping Screws M5*16/ Black | 4.03.03.15.038  | 24  |        |
| 22  | Speaker Mounting Bracket                                       | 4.05.01.41.027  | 2   | BN     |
| 23  | Dash Speaker   | 4.04.06.37.003  | 2   |        |
| 24  | Speaker Cover  | 4.04.06.37.002  | 2   |        |
| 25  | Inner Hexagon Large Flat Head Self-Tapping Screws M5*16/Black  | 4.03.03.15.038  | 20  |        |
| 26  | Charger Cable  | 4.04.01.07.053  | 1   | BN     |
| 27  | Instrument Panel (Including Buckle)                            | *FULL ASSEMBLY* | 1   | BN     |
| 28  | Square Buckle  | 4.05.01.29.070  | 2   | G14    |
| 29  | Dash Board Panel   | 4.05.01.41.026  | 1   | BN     |
| 30  | KCD1 Peephole Switch   | 4.04.02.01.059  | 2   |        |
| 31  | Large Flat Head Cross Self-Tapping Screws                      | 4.03.03.07.012  | 2   |        |
| 32  | Standard Communication Interface                               | 2.01.02.10.005  | 1   |        |
| 33  | Cigar Lighter Base   | 4.04.14.02.005  | 1   | M Type |
| 34  | Hazard Light Switch  | 4.04.02.11.002  | 1   |        |
| 35  | USB Port   | 4.04.07.103     | 1   |        |
| 36  | Ignition   | 4.04.02.02.020  | 1   |        |
| 37  | Storage Box RH   | 4.05.01.41.025  | 1   | BN     |



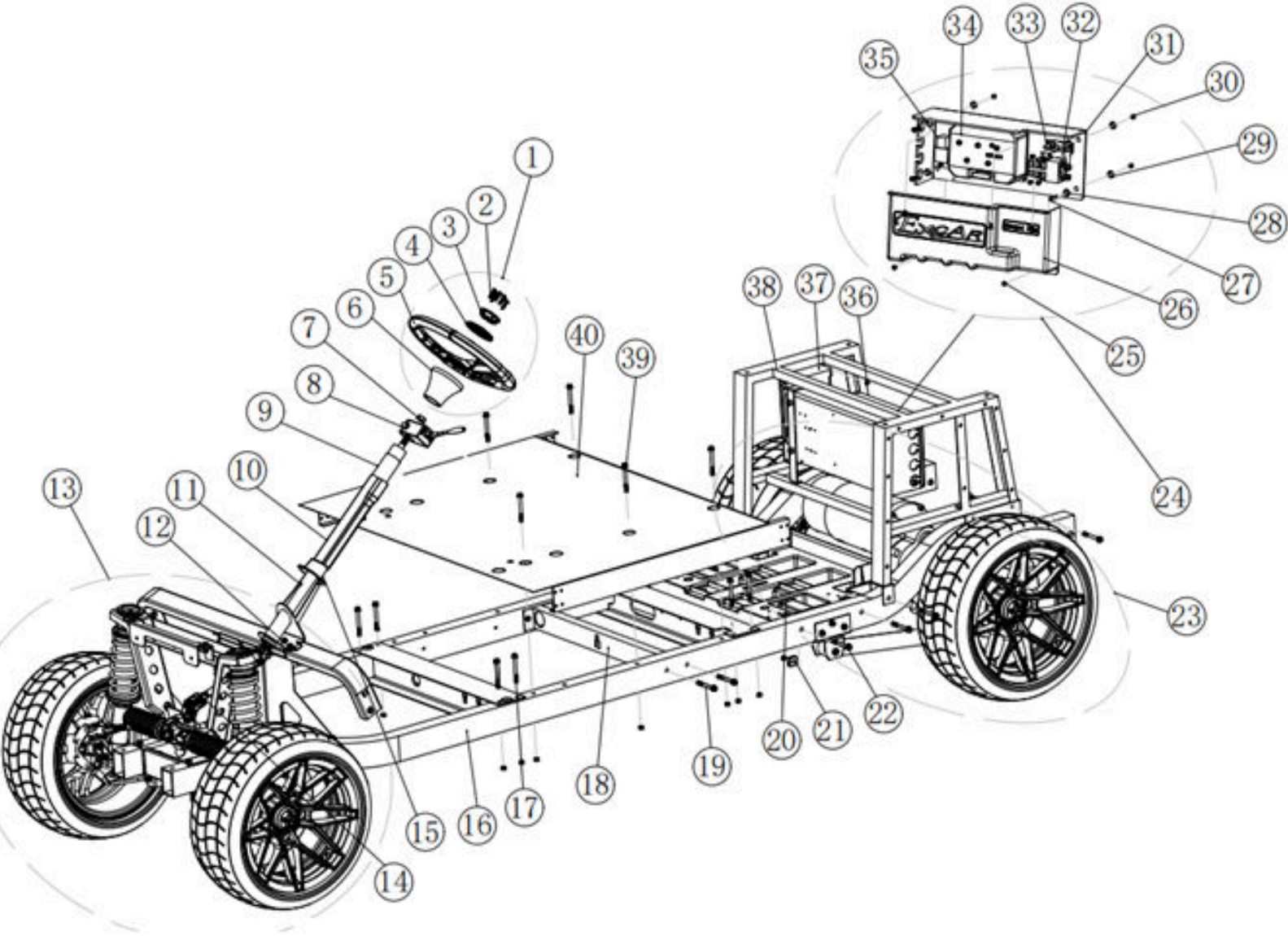
# CHASSIS PARTS DIAGRAM



## CHASSIS PARTS

| NO. | DESCRIPTION                            | PART NUMBER     | PCS | MEMO                                  |
|-----|--|-----------------|-----|---------------------------------------|
| 1   | Steering Wheel Assembly                | *FULL ASSEMBLY* | 1   | AK-8941 BN Model                      |
| 2   | Pan Head Cross Self-Tapping Screw/4*16 | 4.03.03.01.007  | 6   |                                       |
| 3   | Steering Wheel Upper Decorative Cover  | 4.02.01.03.040  | 1   | BN Model                              |
| 4   | Steering Wheel Lock Cover              | 4.02.01.03.041  | 1   | BN Model                              |
| 5   | Steering Wheel                         | 4.02.01.03.042  | 1   | BN Model                              |
| 6   | Steering Wheel Base                    | 4.02.01.01.075  | 1   | A,M Common                            |
| 7   | Lock Nut M12*1.25                      | 4.03.04.01.005  | 1   |                                       |
| 8   | Turn Signal/Lights/Horn Switch         | 4.04.14.01.007  | 1   |                                       |
| 9   | Steering Assembly Tube<br>φ46*43/580MM | 4.05.04.03.004  | 1   |                                       |
| 10  | Wire Harness Protective Cover          | 4.05.01.01.026  | 1   | A Type                                |
| 11  | Steering Column                        | 4.02.01.03.038  | 1   | BN Model                              |
| 12  | Screw Flange M8*20                     | 4.03.02.01.014  | 4   |                                       |
| 13  | Front Suspension Parts                 | -               | -   |                                       |
| 14  | Universal Joint Assembly               | 4.02.01.01.046  | 1   |                                       |
| 15  | Steering Column Upper Cover            | 4.05.01.41.034  | 1   | BN                                    |
| 16  | A4 Chassis                             | 2.01.01.08.008  | 1   | <u>***NOT SOLD AS A SPARE PART***</u> |
| 17  | Screw Flange M8*90                     | 4.03.02.01.027  | 8   |                                       |
| 18  | Hand Brake Install Support             | 3.02.01.01.0101 | 1   | A Type                                |
| 19  | Screw Flange M8*65                     | 4.03.02.01.082  | 4   |                                       |
| 20  | Battery Support                        | 3.02.01.33.022  | 1   |                                       |
| 21  | Plastic Battery Tray Gasket            | 3.02.01.01.201  | 2   |                                       |

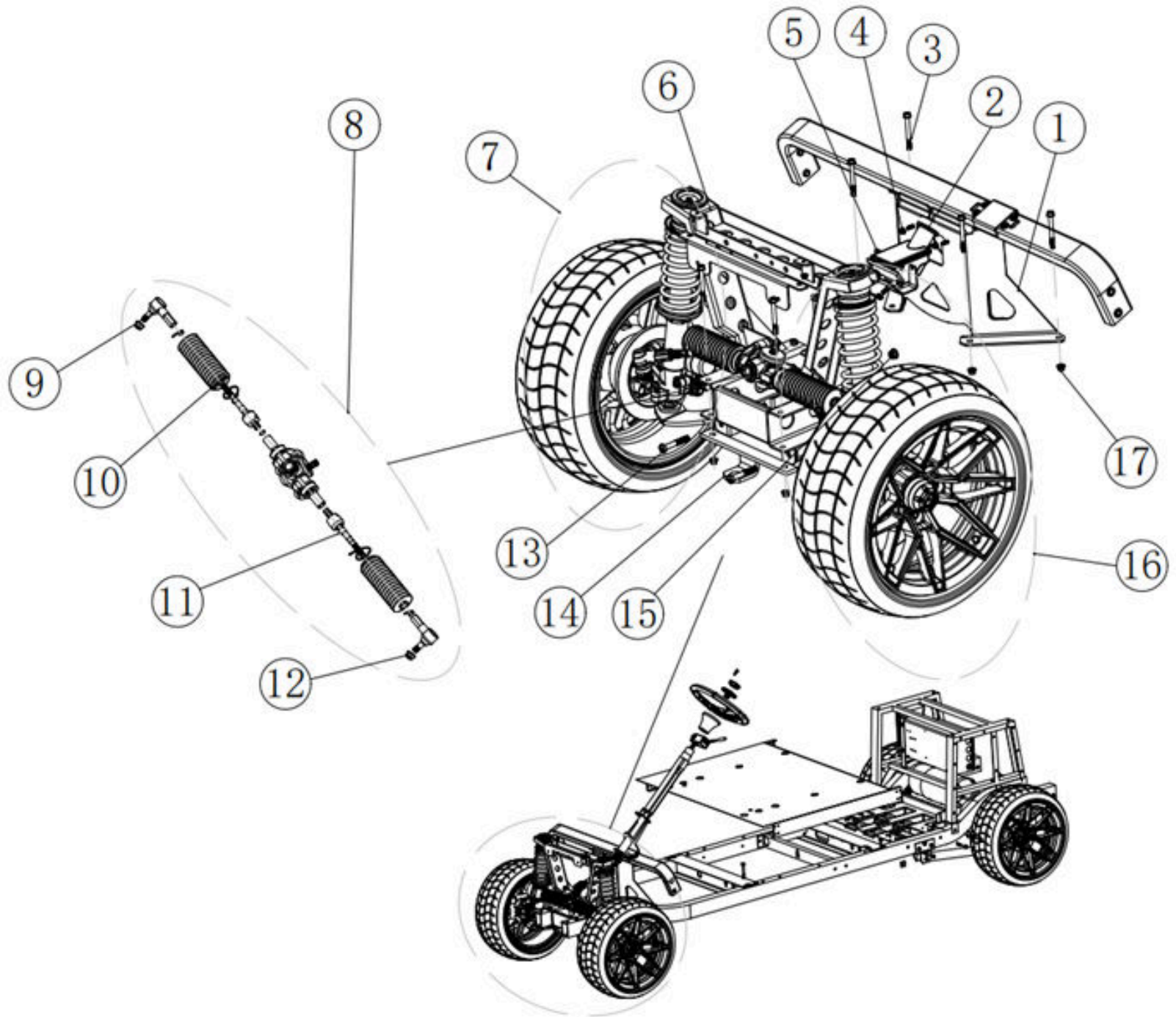
# CHASSIS PARTS DIAGRAM CONTINUED



## CHASSIS PARTS CONTINUED

| NO. | DESCRIPTION  | PART NUMBER     | PCS | MEMO              |
|-----|--|-----------------|-----|-------------------|
| 22  | Screw Flange M8*85                                       | 4.03.02.01.026  | 4   |                   |
| 23  | Rear Suspension Parts                                    | -               | -   | -                 |
| 24  | Electric Control Box<br>Assembly                         | *FULL ASSEMBLY* | 1   |                   |
| 25  | Cross Flange Head Self-<br>Tapping Screw/M5*20           | 4.03.02.06.019  | 5   | Cut Tail/Black    |
| 26  | Controller Cover   | 4.05.01.33.033  | 1   | M Type            |
| 27  | Screw Flange M6*25                                       | 4.03.02.01.005  | 4   |                   |
| 28  | Electrical Control<br>Aluminum Plate Insulation<br>Pad A | 4.05.04.06.007  | 4   |                   |
| 29  | Electrical Control<br>Aluminum Plate Insulation<br>Pad A | 4.05.04.06.007  | 4   |                   |
| 30  | Lock Nut M6*1.25   | 4.03.04.01.001  | 4   |                   |
| 31  | Controller Plate   | 3.05.40.016     | 1   | M Type            |
| 32  | Ceramics Fuse Seat                                       | 4.04.06.10.025  | 1   |                   |
| 33  | Fuse 400A  | 4.04.06.10.012  | 1   | S400A             |
| 34  | Controller   | 4.04.01.05.078  | 1   | JEVD1-72M450L     |
| 35  | Relay  | 4.04.02.05.016  | 1   | CMA36-S-DC12V-C-R |
| 36  | Lock Nut M6*1.25   | 4.03.04.01.001  | 4   |                   |
| 37  | DC/DC Converter 72-12V<br>100A                           | 4.04.01.13.014  | 1   |                   |
| 38  | Rear Body Support<br>Assembly                            | 3.02.01.33.014  | 1   | M Car             |
| 39  | Screw Flange M8*85                                       | 4.03.02.01.026  | 6   |                   |
| 40  | Front Underbody  | 4.05.01.01.043  | 1   | A4                |

# FRONT SUSPENSION PARTS DIAGRAM

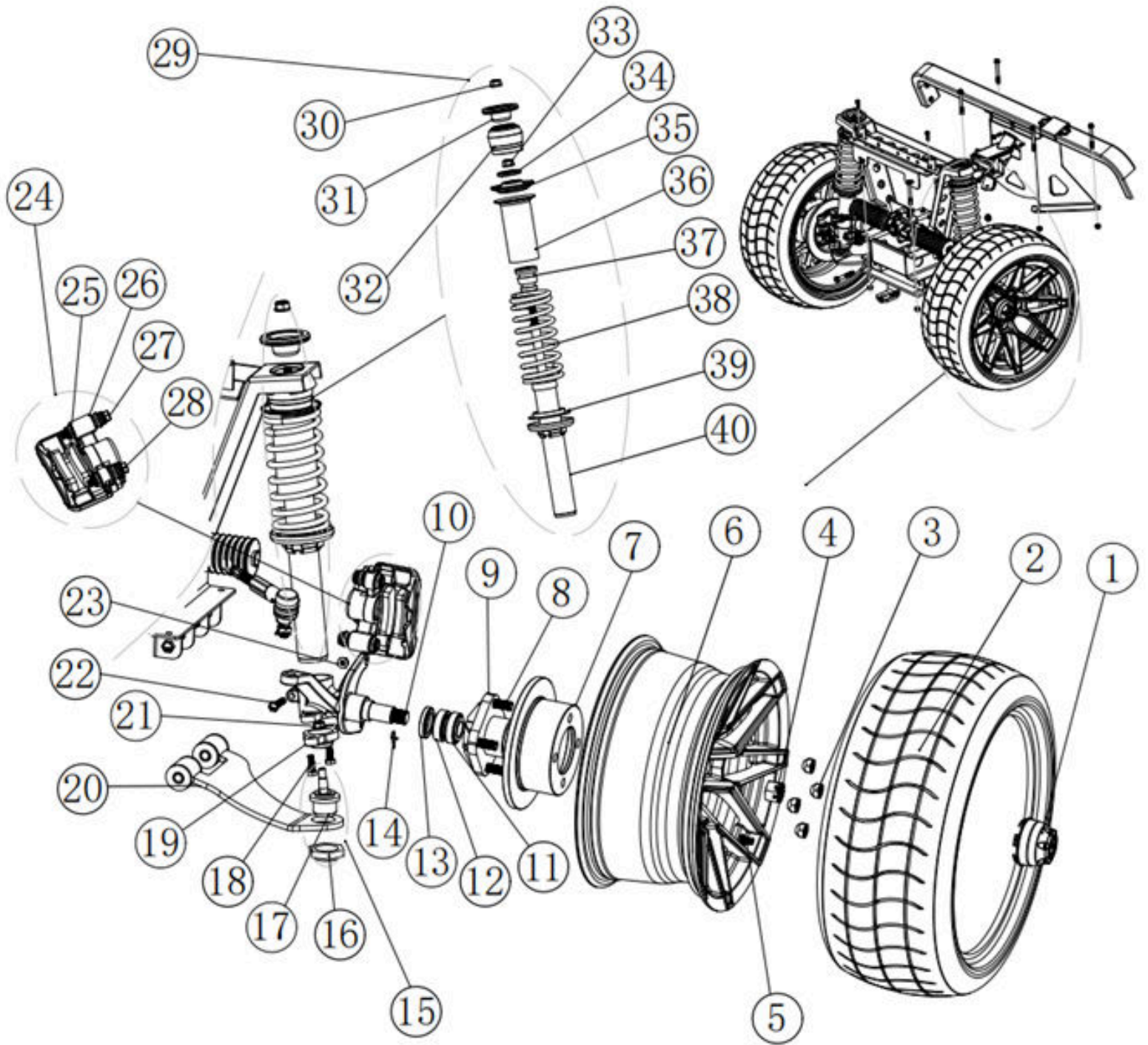


## FRONT SUSPENSION PARTS

| NO. | DESCRIPTION                 | PART NUMBER                    | PCS | MEMO   |
|-----|-----------------------------|--------------------------------|-----|--------|
| 1   | Front Underbody Support     | 3.02.01.01.124                 | 1   | A Type |
| 2   | Brake Reservoir             | 4.05.04.07.004                 | 1   | A Type |
| 3   | Screw Flange M8*90          | 4.03.02.01.027                 | 4   |        |
| 4   | Lock Nut M6*1.25            | 4.03.04.01.001                 | 2   |        |
| 5   | Brake Reservoir Bracket     | 3.02.01.17.016                 | 1   | A Type |
| 6   | Front Axle                  | 3.02.01.33.029                 | 1   | A Type |
| 7   | Front Suspension Right Part | -                              | -   | -      |
| 8   | Steering Assembly           | 4.02.01.01.001 (FULL ASSEMBLY) | 1   |        |
| 9   | Tie Rod End                 | 4.02.01.01.044                 | 2   | A Type |
| 10  | Dust Cover                  | 4.02.01.01.043                 | 2   | C73    |
| 11  | Steering Tie Rod            | 4.02.01.01.031                 | 2   |        |
| 12  | Lock Nut M12*1.25           | 4.03.04.01.005                 | 2   |        |
| 13  | Screw Flange M12*75         | 4.03.02.01.043                 | 4   |        |
| 14  | Trailer Mechanism           | 3.02.01.01.008                 | 1   |        |
| 15  | Lock Nut M12*1.25           | 4.03.04.01.005                 | 2   |        |
| 16  | Front Suspension Left Part  | -                              | -   | -      |
| 17  | Lock Nut M8*1.25            | 4.03.04.01.003                 | 4   |        |



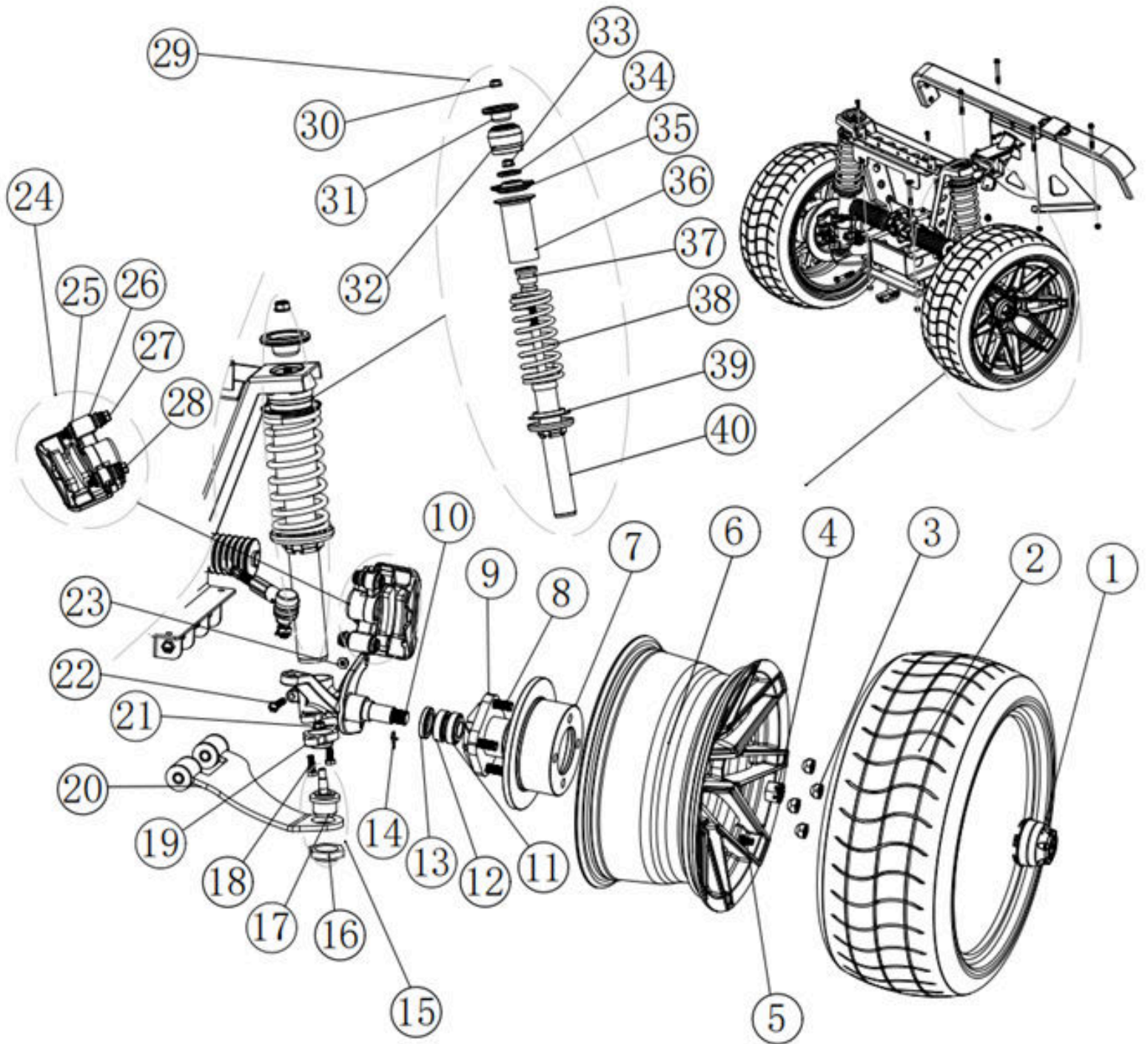
# FRONT AXLE LH PARTS DIAGRAM



## FRONT AXLE LH PARTS

| NO. | DESCRIPTION              | PART NUMBER    | PCS | MEMO       |
|-----|--------------------------|----------------|-----|------------|
| 1   | Wheel Center Cap         | 4.05.04.03.006 | 1   |            |
| 2   | Tire                     | 4.02.07.01.099 | 1   | 215/35 R14 |
| 3   | Alum Rim Nut/M1/2-20     | 4.03.04.03.003 | 4   | M1/2-20    |
| 4   | Split Nut M20*1.5        | 4.03.04.03.007 | 1   | M20*1.5    |
| 5   | Valve Stem               | 4.02.07.03.001 | 1   |            |
| 6   | Aluminum Rim             | 4.02.07.02.051 | 1   |            |
| 7   | Front Brake Disc         | 4.02.02.10.063 | 1   | A Type     |
| 8   | Hub Screw                | 4.03.02.02.004 | 4   | 1/2-20*41  |
| 9   | Hub Assembly             | 4.02.01.01.036 | 1   |            |
| 10  | Disc-Brake Spindle/LH    | 4.02.02.10.006 | 1   |            |
| 11  | Bearing 32005            | 4.03.01.02.014 | 2   |            |
| 12  | Bearing 32005            | 4.03.01.02.014 | 2   |            |
| 13  | Oil Seal/Hub 30*47*8mm   | 4.05.04.01.008 | 1   |            |
| 14  | Pin.Opening/M2.5*30      | 4.03.06.05.011 | 1   |            |
| 15  | Tie,Rod,Rocker Arm       | 4.02.04.01.046 | 1   |            |
| 16  | Rocker Arm Ball Head Nut | 4.03.04.02.013 | 1   |            |
| 17  | Tie Rod                  | 4.02.04.01.071 | 1   |            |
| 18  | Screw Flange M10*25      | 4.03.02.01.032 | 2   |            |
| 19  | Spindle Shaft Base       | 4.02.01.01.018 | 1   | Type A     |
| 20  | Rocker Arm/LH            | 3.02.01.30.013 | 1   | X5         |

# FRONT AXLE LH PARTS DIAGRAM CONTINUED

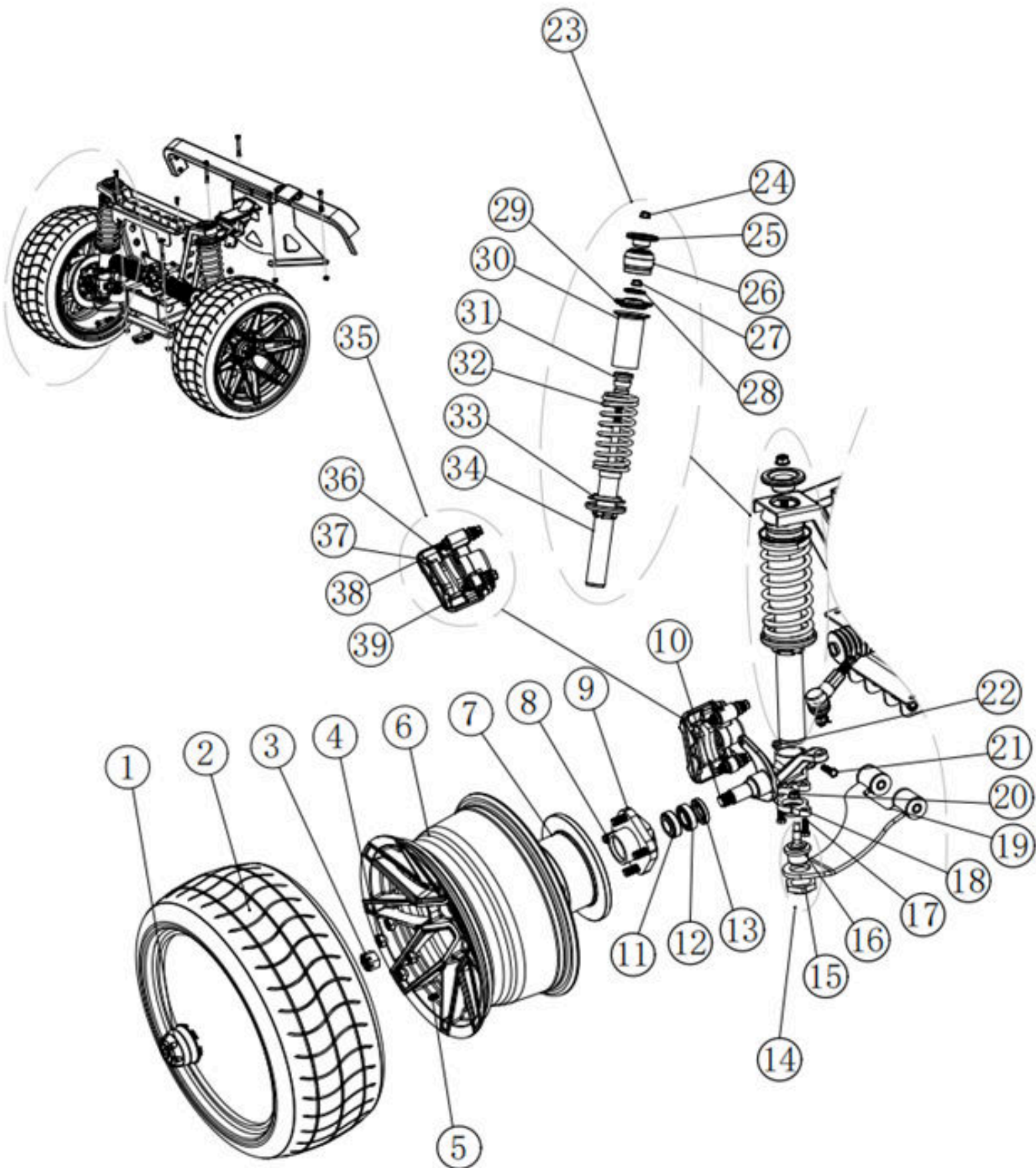


## FRONT AXLE LH PARTS CONTINUED

| NO. | DESCRIPTION                               | PART NUMBER     | PCS | MEMO                               |
|-----|---|-----------------|-----|------------------------------------|
| 21  | Lock Nut M10*1.25                         | 4.03.04.01.004  | 1   |                                    |
| 22  | Screw Flange M8*45                        | 4.03.02.01.019  | 1   |                                    |
| 23  | Lock Nut M8*1.25                          | 4.03.04.01.003  | 1   |                                    |
| 24  | Front Caliper/LH                          | *FULL ASSEMBLY* | 1   | ZY01-3501010/020                   |
| 25  | Brake Shoe / Disc Brake                   | 4.02.05.03.003  | 1   |                                    |
| 26  | Front Caliper/LH                          | 4.02.05.01.038  | 1   |                                    |
| 27  | Screw Flange M10*70                       | 4.03.02.01.038  | 1   |                                    |
| 28  | Flange Screws M10*55                      | 4.03.02.01.036  | 1   |                                    |
| 29  | Front Shock Absorber<br>Assembly          | 2.01.01.02.017  | 1   | TF-4 *FULL ASSEMBLY*               |
| 30  | Lock Nut M12*1.25                         | 4.03.04.01.005  | 1   |                                    |
| 31  | Shock Absorber Upper Plate                | 4.02.04.04.002  | 1   |                                    |
| 32  | Rubber Buffer                             | 4.02.04.01.036  | 1   |                                    |
| 33  | Lock Nut M12*1.25                         | 4.03.04.01.005  | 1   |                                    |
| 34  | Front Engine Bearing                      | 4.03.01.02.026  | 1   | 96FB 3K099--                       |
| 35  | Front Shock Absorber<br>Rubber            | 4.02.04.01.041  | 1   |                                    |
| 36  | Front Shock Absorber<br>Rubber Dust Cover | 4.02.04.01.077  | 1   | Φ85*130                            |
| 37  | Rubber Buffer                             | 4.02.04.01.076  | 1   |                                    |
| 38  | A4 Spring                                 | 4.02.04.01.017  | 1   | A4                                 |
| 39  | Front Spring Lower Limit<br>Gasket        | 4.02.04.01.080  | 1   | <u>*PART OF FULL<br/>ASSEMBLY*</u> |
| 40  | Damper                                    | 4.02.04.04.003  | 1   | TF-4                               |



# FRONT AXLE RH PARTS DIAGRAM

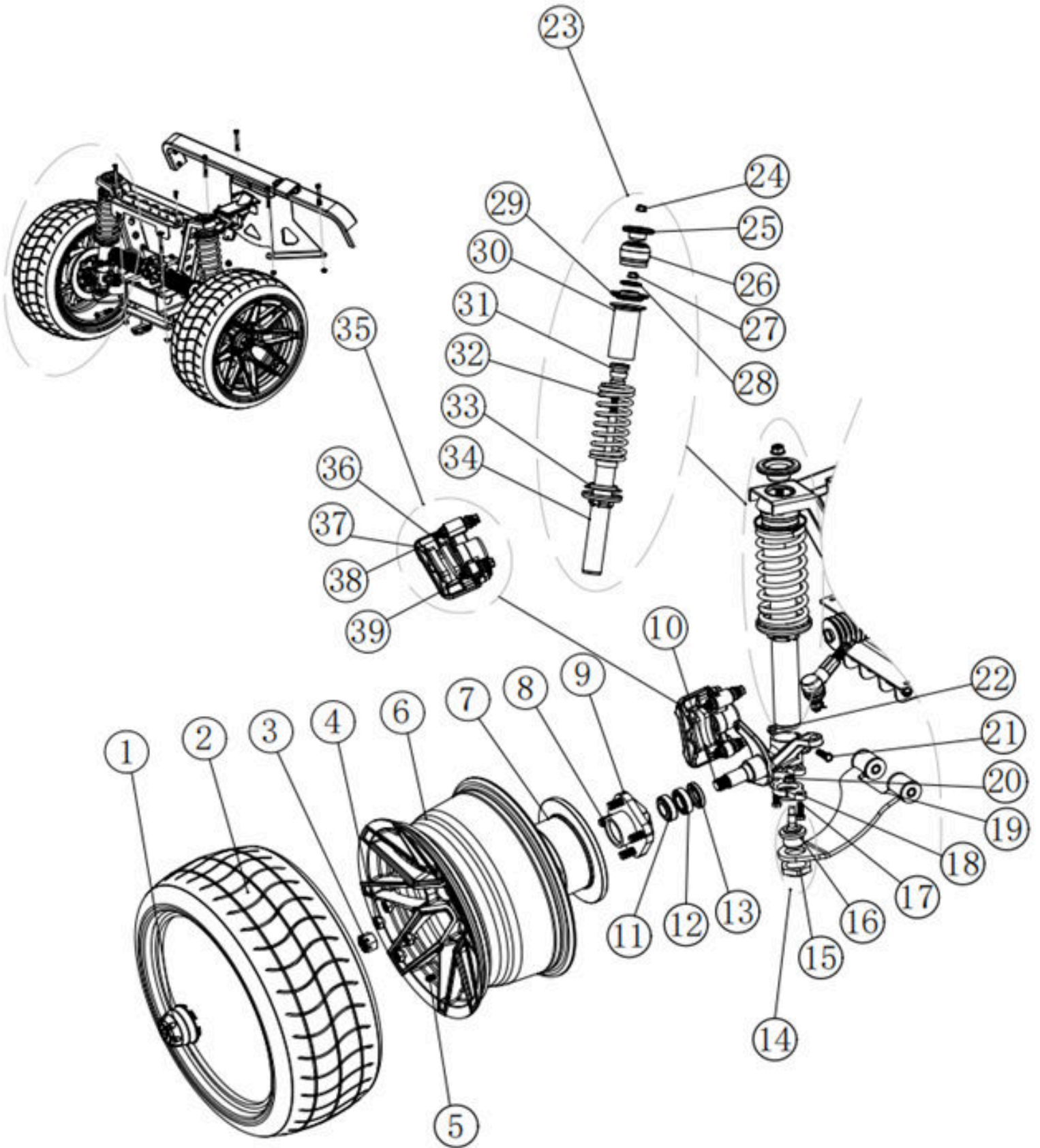


## FRONT AXLE RH PARTS

| NO. | DESCRIPTION              | PART NUMBER    | PCS | MEMO       |
|-----|--------------------------|----------------|-----|------------|
| 1   | Wheel Center Cap         | 4.05.04.03.006 | 1   |            |
| 2   | Tire                     | 4.02.07.01.099 | 1   | 215/35 R14 |
| 3   | Alum Rim Nut             | 4.03.04.03.003 | 4   | M1/2-20    |
| 4   | Split Nut M20*1.5        | 4.03.04.03.007 | 1   | M20*1.5    |
| 5   | Valve Stem               | 4.02.07.03.005 | 1   |            |
| 6   | Aluminum Rim             | 4.02.07.03.001 | 1   |            |
| 7   | Front Brake Disc         | 4.02.02.10.063 | 1   | A Type     |
| 8   | Hub Screw                | 4.03.02.02.004 | 4   | 1/2-20*41  |
| 9   | Hub Assembly             | 4.02.01.01.036 | 1   |            |
| 10  | Disc-Brake Spindle/RH    | 4.02.02.10.007 | 1   |            |
| 11  | Bearing 32005            | 4.03.01.02.014 | 1   |            |
| 12  | Bearing 32005            | 4.03.01.02.014 | 1   |            |
| 13  | Oil Seal/Hub 30*47*8mm   | 4.05.04.01.008 | 1   |            |
| 14  | Tie,Rod,Rocker Arm       | 4.02.04.01.046 | 1   |            |
| 15  | Rocker Arm Ball Head Nut | 4.03.04.02.013 | 1   |            |
| 16  | Tie Rod                  | 4.02.04.01.071 | 1   |            |
| 17  | Screw Flange M10*25      | 4.03.02.01.032 | 2   |            |
| 18  | Spindle Shaft Base       | 4.02.01.01.018 | 1   | Type A     |
| 19  | Rocker Arm/RH            | 3.02.01.30.081 | 1   | X5         |
| 20  | Lock Nut M10*1.25        | 4.03.04.01.004 | 1   |            |



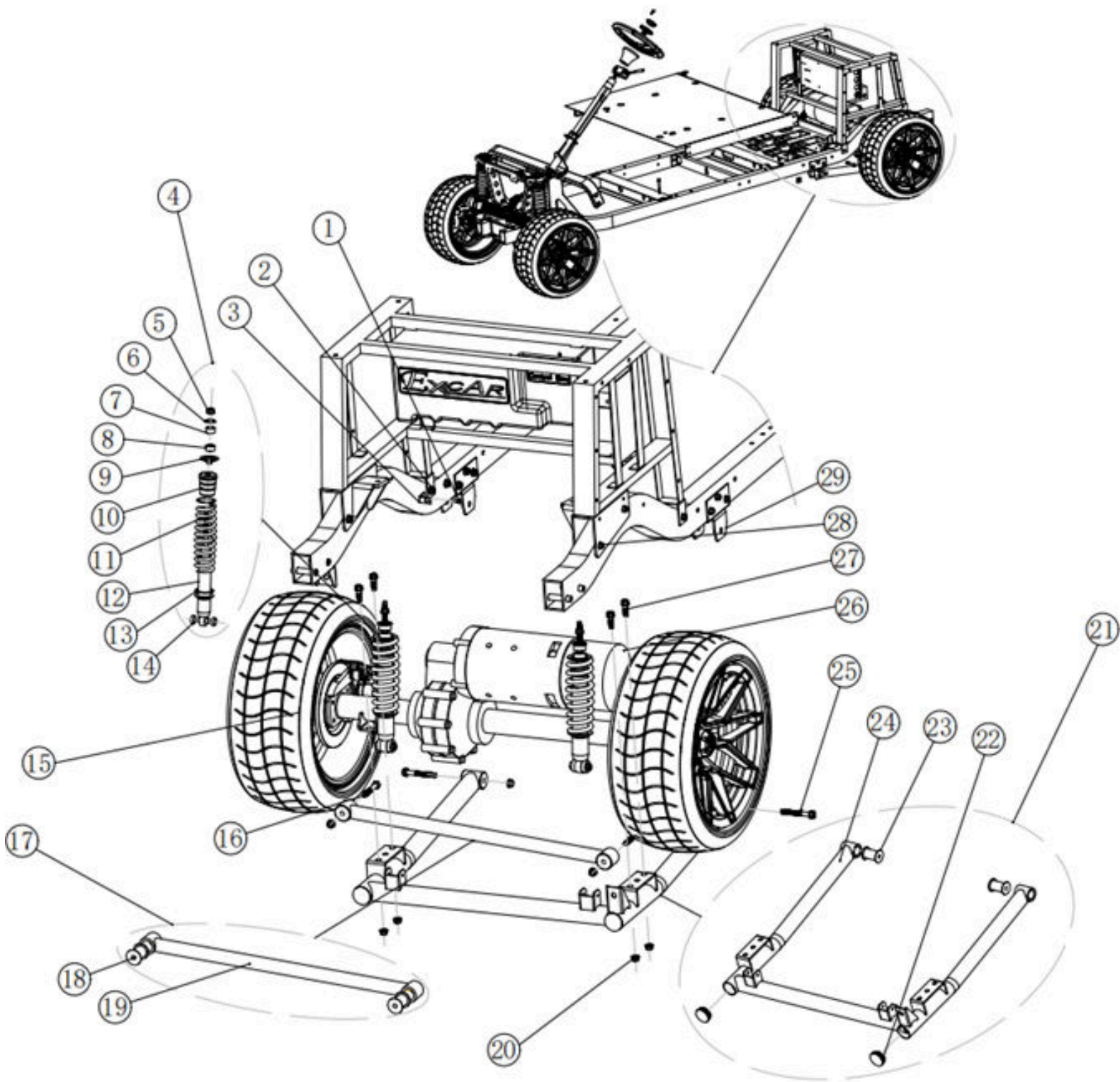
# FRONT AXLE RH PARTS DIAGRAM



## FRONT AXLE RH PARTS CONTINUED

| NO. | DESCRIPTION                            | PART NUMBER     | PCS | MEMO                           |
|-----|--|-----------------|-----|--------------------------------|
| 21  | Screw Flange M8*45                     | 4.03.02.01.019  | 1   |                                |
| 22  | Lock Nut M8*1.25                       | 4.03.04.01.003  | 1   |                                |
| 23  | Front Shock Absorber Assembly TF-2     | 2.01.01.02.017  | 1   | TF-4 *FULL ASSEMBLY*           |
| 24  | Lock Nut M12*1.25                      | 4.03.04.01.005  | 1   |                                |
| 25  | Shock Absorber Upper Plate             | 4.02.04.04.002  | 1   |                                |
| 26  | Rubber Buffer                          | 4.02.04.01.036  | 1   |                                |
| 27  | Lock Nut M12*1.25                      | 4.03.04.01.005  | 1   |                                |
| 28  | Front Engine Bearing                   | 4.03.01.02.026  | 1   | 96FB 3K099--                   |
| 29  | Front Shock Absorber Rubber            | 4.02.04.01.041  | 1   |                                |
| 30  | Front Shock Absorber Rubber Dust Cover | 4.02.04.01.077  | 1   |                                |
| 31  | Rubber Buffer                          | 4.02.04.01.076  | 1   |                                |
| 32  | A4 Spring                              | 4.02.04.01.017  | 1   | A4                             |
| 33  | Front Spring Lower Limit Gasket        | 4.02.04.01.080  | 1   | <u>*PART OF FULL ASSEMBLY*</u> |
| 34  | Damper                                 | 4.02.04.04.003  | 1   | TF-4                           |
| 35  | Front Caliper/RH                       | *FULL ASSEMBLY* | 1   | ZY01-3501010/020               |
| 36  | Brake Shoe/Disc Brake                  | 4.02.05.03.003  | 2   |                                |
| 37  | Front Caliper/RH                       | 4.02.05.01.039  | 1   |                                |
| 38  | Screw Flange M10*70                    | 4.03.02.01.038  | 1   |                                |
| 39  | Flange Screws M10*55                   | 4.03.02.01.036  | 1   |                                |

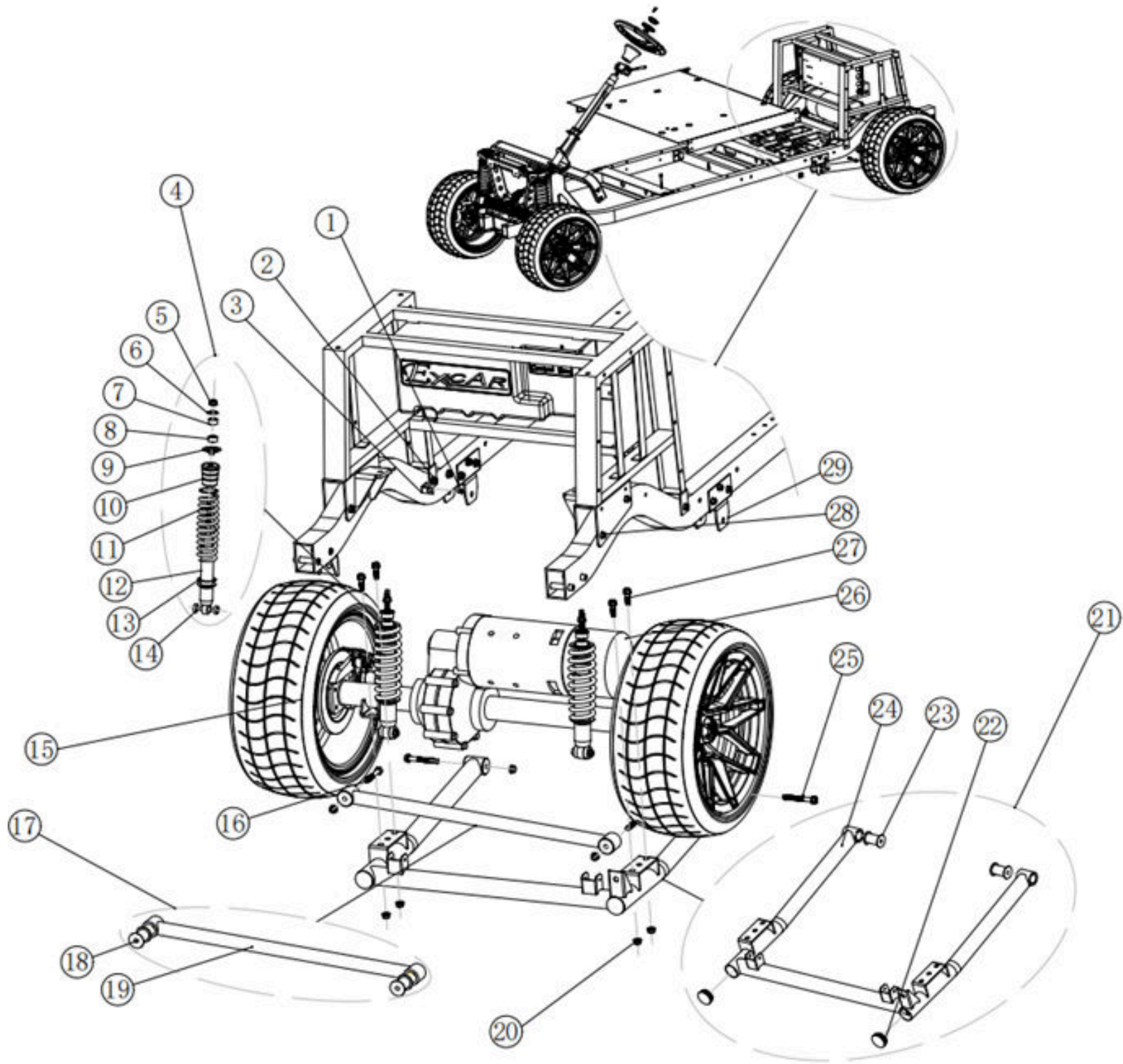
# REAR AXLE TUBE PARTS DIAGRAM



## REAR AXLE TUBE PARTS

| NO. | DESCRIPTION                           | PART NUMBER     | PCS | MEMO                           |
|-----|---------------------------------------|-----------------|-----|--------------------------------|
| 1   | Self Tapping Hexagonal Screw/12*1 1/4 | 4.03.02.06.021  | 2   |                                |
| 2   | Lock Nut M10*1.25                     | 4.03.04.01.004  | 14  |                                |
| 3   | Oil Pipe Bracket                      | 3.05.40.158     | 2   | M Type                         |
| 4   | Rear Shock Absorber Assembly R-3+A4   | *FULL ASSEMBLY* | 2   |                                |
| 5   | Lock Nut M10*1.25                     | 4.03.04.01.004  | 2   |                                |
| 6   | Shock Absorber Upper Nut Gasket       | 4.02.04.01.082  | 2   |                                |
| 7   | Shock Absorber Upper Rubber Washer    | 4.02.04.01.083  | 2   |                                |
| 8   | Shock Absorber Upper Nylon Washer     | 4.02.04.01.084  | 2   |                                |
| 9   | Shock Absorber Upper Washer           | 4.02.04.01.085  | 2   |                                |
| 10  | Rubber Buffer                         | 4.02.04.01.076  | 2   |                                |
| 11  | Rear Spring                           | 4.02.04.01.016  | 2   |                                |
| 12  | Rear Shock Absorber                   | 4.02.10.034     | 2   |                                |
| 13  | Rear Spring Lower Limit Gasket        | 4.02.04.01.081  | 2   | <u>*PART OF FULL ASSEMBLY*</u> |
| 14  | Rear Damper Gasket φ30*3.5            | 4.02.04.01.028  | 4   | Nylon Cover                    |
| 15  | Rear Axle Parts                       | -               | -   | -                              |
| 16  | Screw Flange M12*75                   | 4.03.02.01.043  | 2   |                                |
| 17  | Stabilizer Bar Assembly               | *FULL ASSEMBLY* | 1   | 8MM                            |

# REAR AXLE TUBE PARTS DIAGRAM CONTINUED



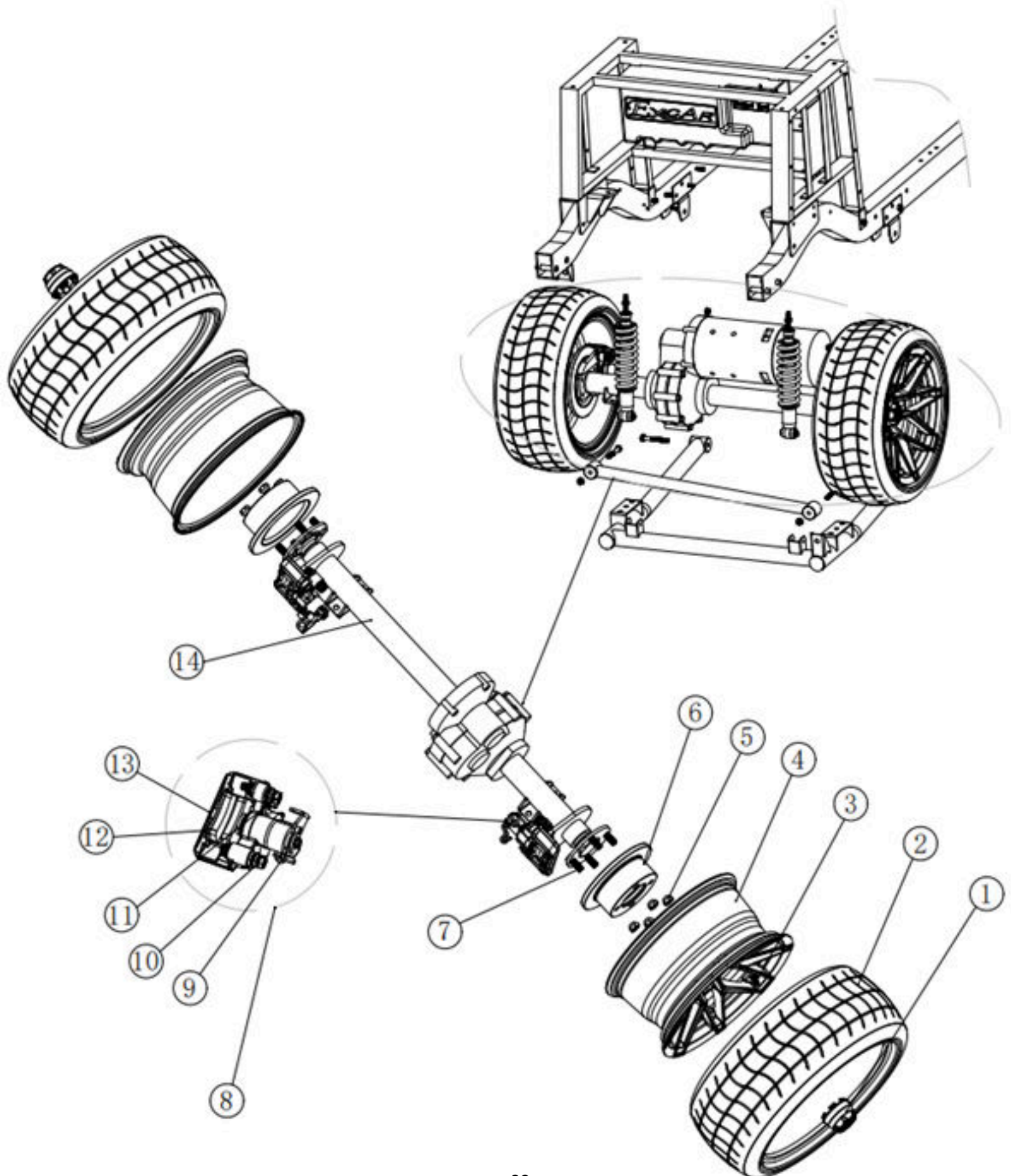


## REAR AXLE TUBE PARTS CONTINUED

| NO. | DESCRIPTION                    | PART NUMBER    | PCS | MEMO                             |
|-----|--------------------------------|----------------|-----|----------------------------------|
| 18  | Rocker Arm Bushing             | 4.02.04.01.005 | 2   | TS60                             |
| 19  | Stabilizer bar                 | 3.02.01.01.036 | 1   | 8MM                              |
| 20  | Lock Nut M12*1.25              | 4.03.04.01.005 | 6   |                                  |
| 21  | Rear Axle Tube Kit<br>Assembly | 2.01.01.07.001 | 1   |                                  |
| 22  | φ45 Pipe Cover                 | 4.05.04.03.005 | 2   | A Type                           |
| 23  | Rear Suspension Bushing        | 4.02.04.02.004 | 2   | Rear Axle Elbow Rubber<br>Sleeve |
| 24  | Rear Axle Tube Kit             | 3.02.01.01.099 | 1   |                                  |
| 25  | Screw Flange M12*85            | 4.03.02.01.058 | 2   |                                  |
| 26  | Motor                          | 4.04.01.02.066 | 1   | 72V5KW                           |
| 27  | Screw Flange M12*30            | 4.03.02.01.041 | 4   |                                  |
| 28  | Screw Flange M10*70            | 4.03.02.01.038 | 10  |                                  |
| 29  | Bracket Rear Axle Tube         | 3.02.01.01.035 | 2   | A Type                           |



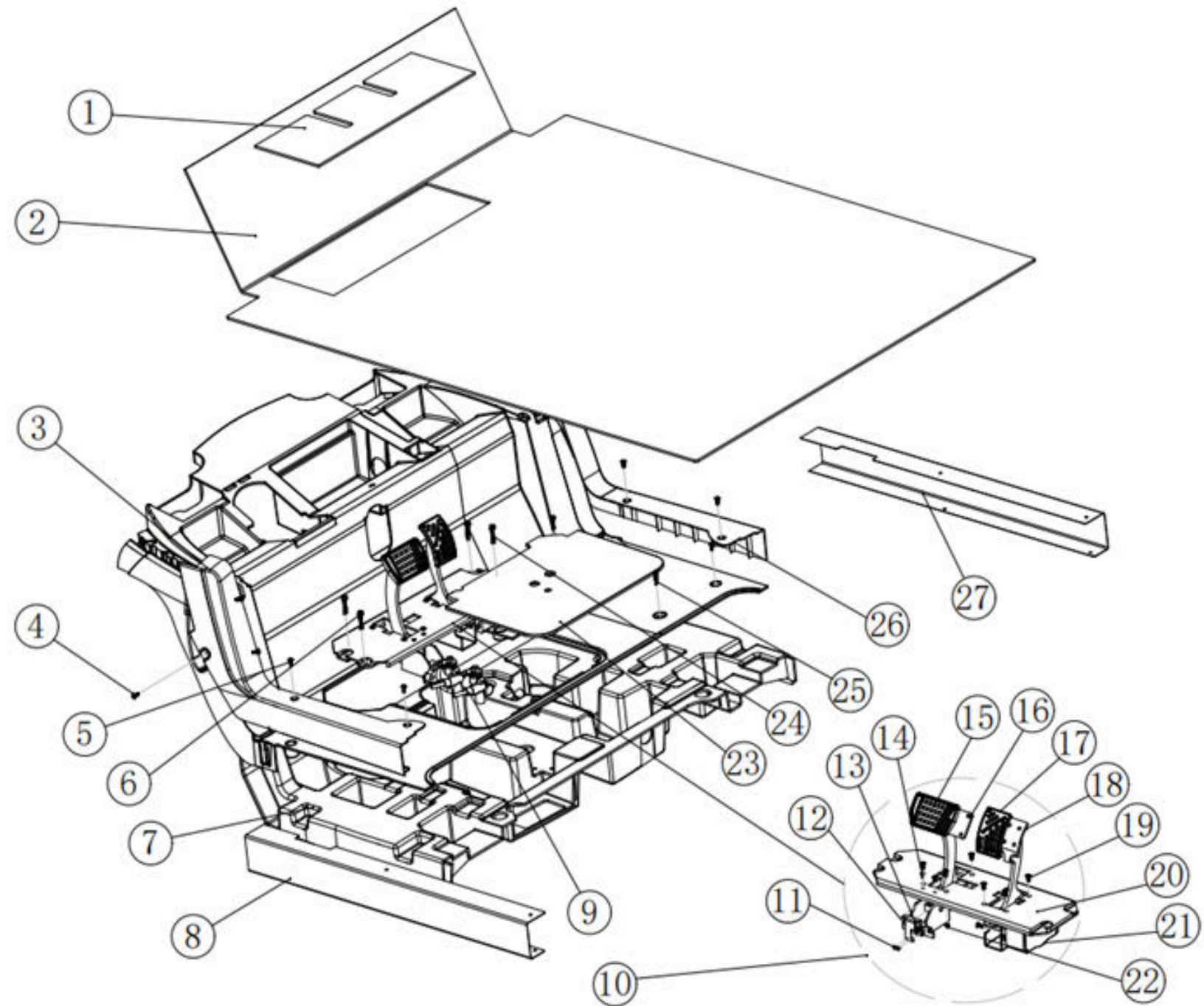
# REAR AXLE PARTS DIAGRAM



## REAR AXLE PARTS

| NO. | DESCRIPTION           | PART NUMBER                      | PCS | MEMO                           |
|-----|-----------------------|----------------------------------|-----|--------------------------------|
| 1   | Wheel Center Cap      | 4.05.04.03.006                   | 2   |                                |
| 2   | Tire                  | 4.02.07.01.099                   | 2   | 215/35 R14                     |
| 3   | Valve Stem            | 4.02.07.03.001                   | 2   |                                |
| 4   | Aluminum Rim          | 4.02.07.02.051                   | 2   |                                |
| 5   | Alum Rim Nut/M1/2-20  | 4.03.04.03.003                   | 8   | M1/2-20                        |
| 6   | Front Brake Disc      | 4.02.02.10.063                   | 2   | A Type                         |
| 7   | Hub Screw             | 4.03.02.02.004                   | 8   | 1/2-20*41                      |
| 8A  | Rear Caliper/LH       | 4.02.05.01.037                   | 1   | ZY01-3501010/020               |
| 8B  | Rear Caliper /RH      | 4.02.05.01.036                   | 1   | ZY01-3501010/020               |
| 9   | Caliper Cable Holder  | 4.02.05.03.012                   | 1   | <u>*PART OF FULL ASSEMBLY*</u> |
| 10  | Screw Flange M10*70   | 4.03.02.01.038                   | 2   |                                |
| 11  | Flange Screws M10*55  | 4.03.02.01.036                   | 2   |                                |
| 12  | Brake Shoe/Disc Brake | 4.02.05.03.003                   | 4   |                                |
| 13  | Rear Caliper RH/LH    | 4.02.05.01.036<br>4.02.05.01.037 | 2   |                                |
| 14  | Transaxle             | 4.02.06.02.042                   | 1   | LY130C-DS 12:1                 |

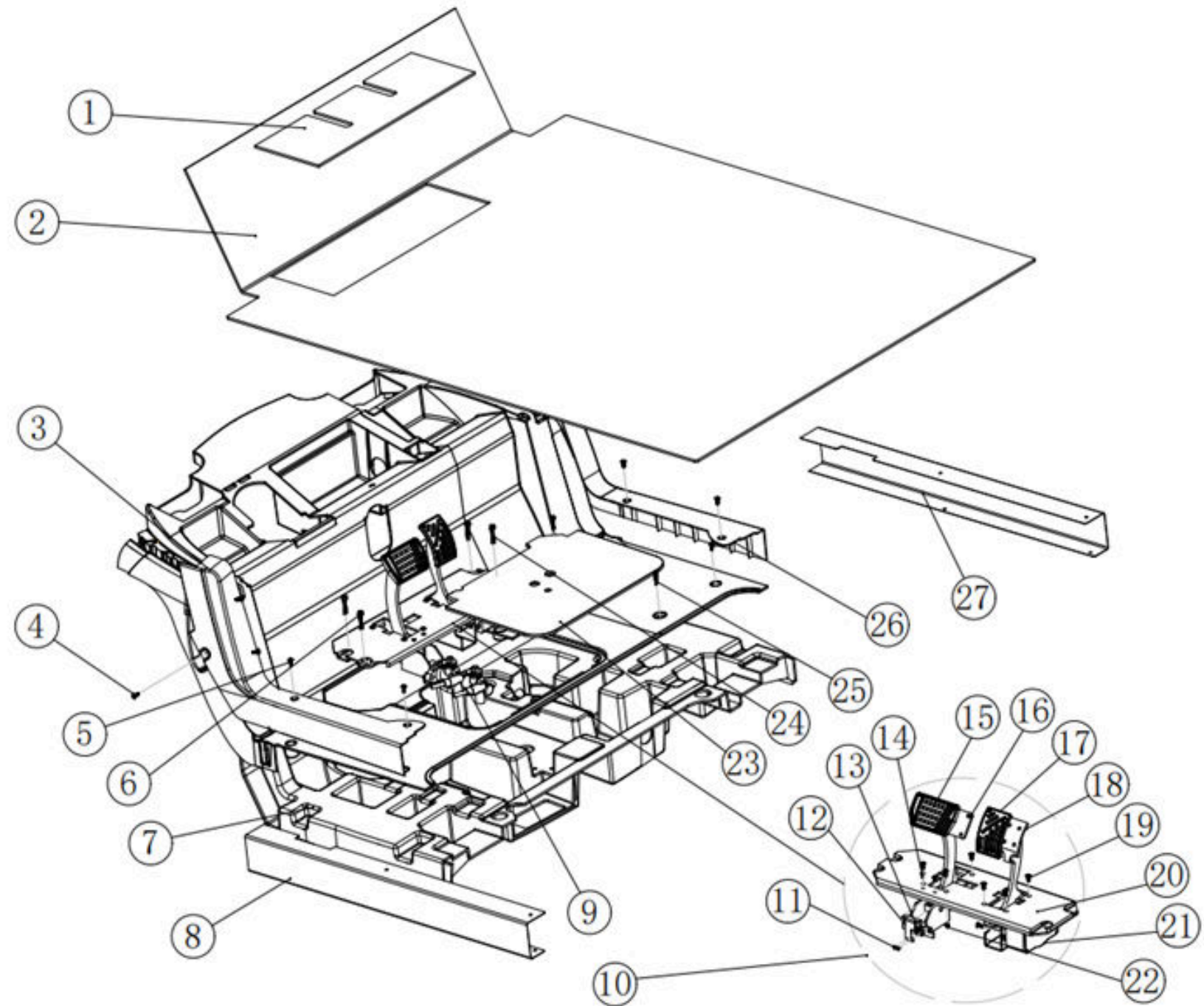
# FRONT UNDERBODY PARTS DIAGRAM



## FRONT UNDERBODY PARTS

| NO. | DESCRIPTION                                  | PART NUMBER     | PCS | MEMO         |
|-----|--|-----------------|-----|--------------|
| 1   | Brake Disc Pedal Pad                         | 4.02.02.10.064  | 1   | 294*128      |
| 2   | Floor Mat                                    | 4.05.01.19.004  | 1   |              |
| 3   | Front Retainer/LH                            | 4.05.01.41.014  | 1   |              |
| 4   | Plastic Nail C633                            | 4.05.04.05.006  | 2   |              |
| 5   | Inner Hexagon Self Drilling<br>Screw         | 4.03.03.12.030  | 4   | 6.3*60       |
| 6   | Hex Self Drilling Cap Screw                  | 4.03.02.06.023  | 2   | M8-12*50     |
| 7   | Front Pedalbox Support                       | 4.05.01.01.002  | 1   | A Type       |
| 8   | Middle Retainer-LH/RH                        | 4.05.01.33.045  | 1   | M Type       |
| 9   | Master Cylinder                              | 4.02.05.01.018  | 1   | ZY01-3503010 |
| 10  | Brake Disc Pedal Assembly                    | *FULL ASSEMBLY* | 1   | BN Model     |
| 11  | Pan Head Cross Self-<br>Tapping Screw /M3*10 | 4.03.03.01.011  | 2   |              |
| 12  | Handbrake Lever Bracket                      | 3.02.05.01.119  | 1   |              |
| 13  | Micro Switch                                 | 4.04.02.01.060  | 1   |              |
| 14  | CSK Screw/M5*16                              | 4.03.03.06.014  | 2   |              |
| 15  | (STOP) Braking Pedal Pad                     | 4.02.02.08.008  | 1   | A Type       |
| 16  | BN Brake Pedal                               | 4.02.02.11.002  | 1   |              |

# FRONT UNDERBODY PARTS DIAGRAM CONTINUED

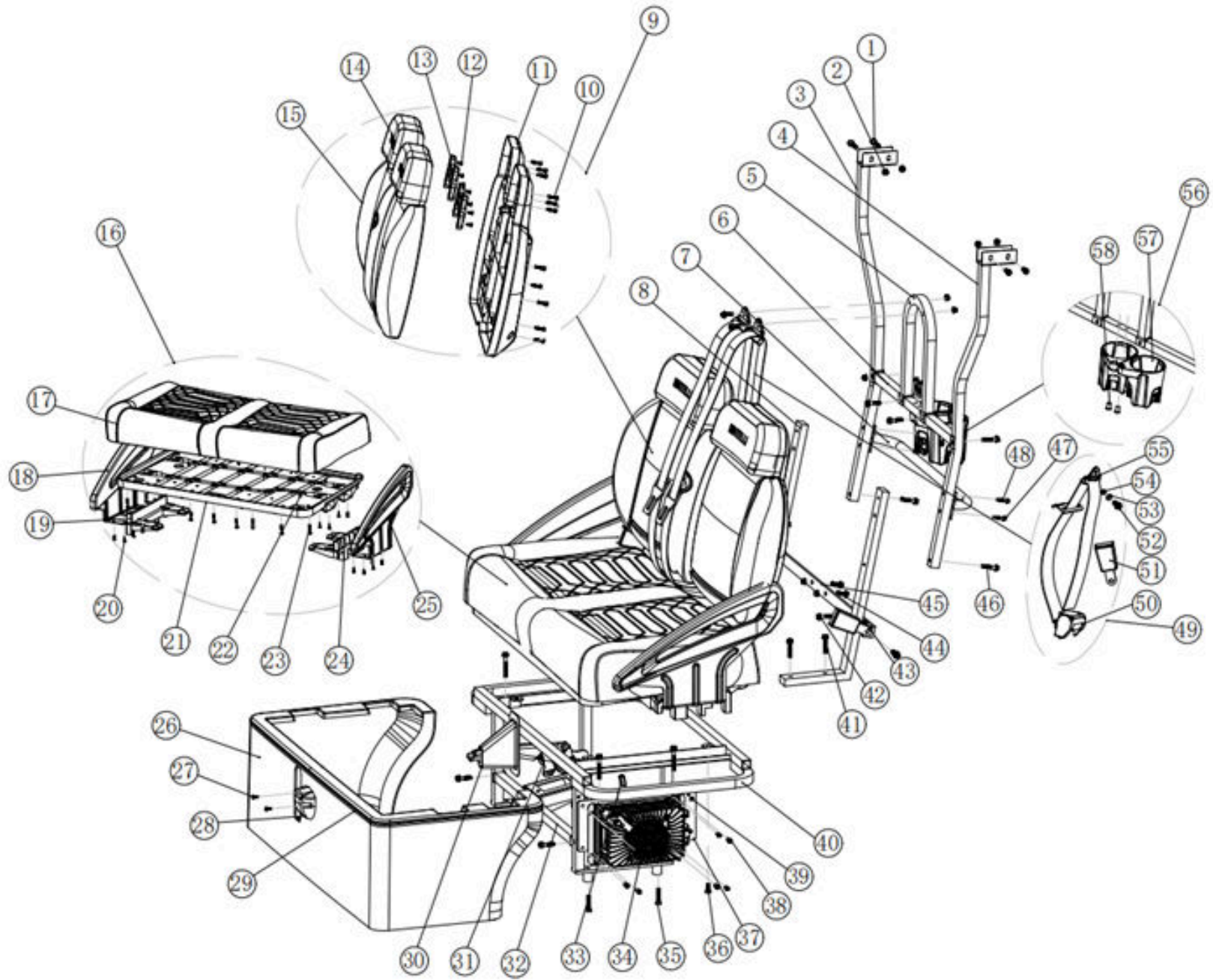


**FRONT UNDERBODY PARTS CONTINUED**

| <b>NO.</b> | <b>DESCRIPTION</b>                                  | <b>PART NUMBER</b> | <b>PCS</b> | <b>MEMO</b>            |
|------------|---|--------------------|------------|------------------------|
| 17         | (GO) Accelerator Pedal Pad                          | 4.02.02.08.010     | 1          | A Type                 |
| 18         | Accelerator Pedal                                   | 4.02.02.11.004     | 1          |                        |
| 19         | 304 Hexagonal Countersunk Head Machine Nail M6 * 20 | 4.03.03.03.066     | 8          |                        |
| 20         | Brake Pedal Base                                    | 4.02.02.11.001     | 1          | No Parking Brake Pedal |
| 21         | Accelerator   | 2.01.02.02.003     | 1          |                        |
| 22         | Lock Nut M6*1.25                                    | 4.03.04.01.001     | 8          |                        |
| 23         | Pedal Base Lid                                      | 4.05.01.01.010     | 1          | A Type                 |
| 24         | Self-Tapping Screw M8-12*70                         | 4.03.02.06.025     | 2          | M8-12*70               |
| 25         | Inner Hexagon Self Drilling Screw                   | 4.03.03.12.030     | 4          | 6.3*60                 |
| 26         | Front Retainer/RH                                   | 4.05.01.41.015     | 1          |                        |
| 27         | Middle Retainer-LH/RH                               | 4.05.01.33.045     | 1          | M Type                 |



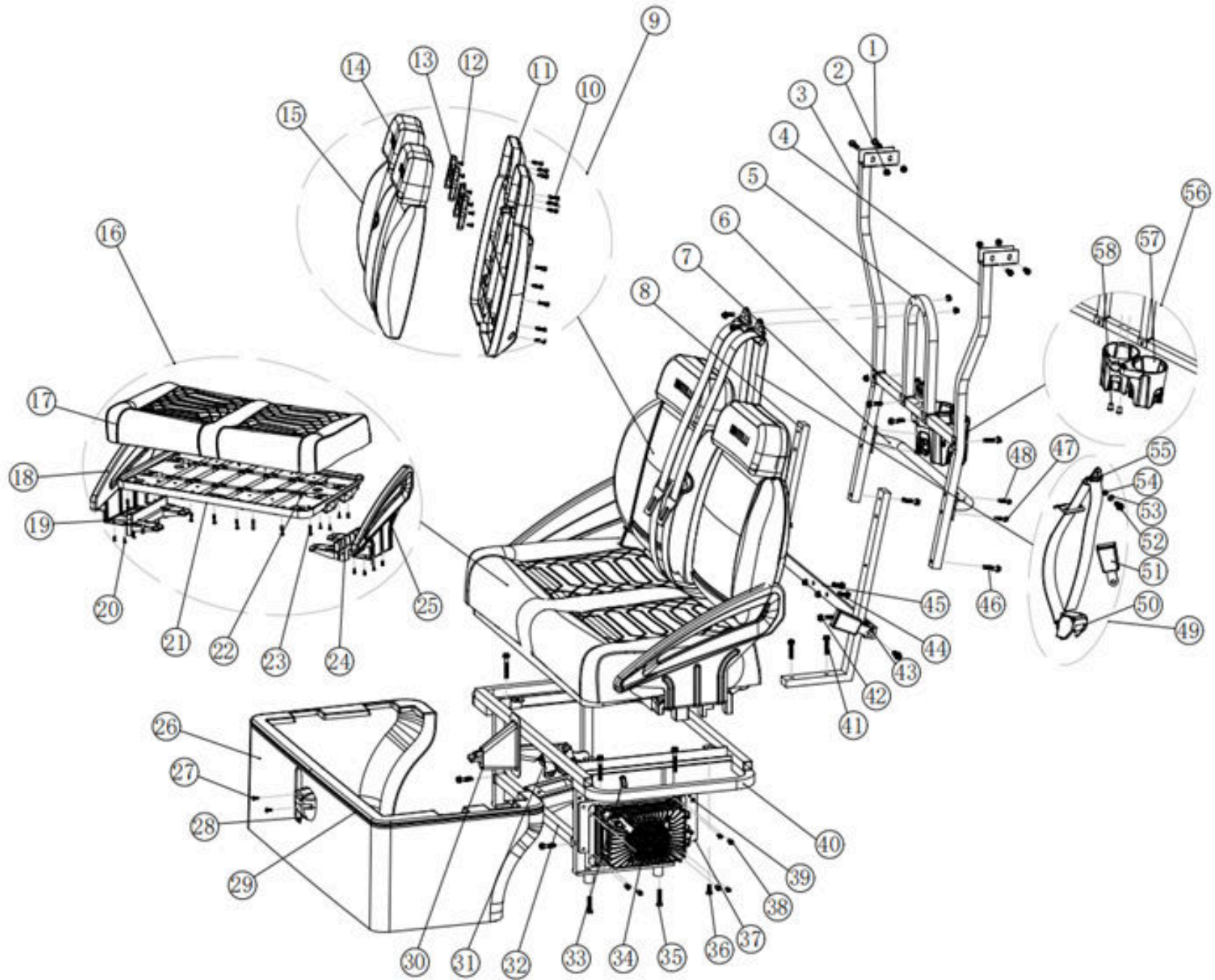
# FRONT SEAT PARTS DIAGRAM



**FRONT SEAT PARTS**

| <b>NO.</b> | <b>DESCRIPTION</b>   | <b>PART NUMBER</b> | <b>PCS</b> | <b>MEMO</b>                        |
|------------|--|--------------------|------------|------------------------------------|
| 1          | Screw Flange M8*45   | 4.03.02.01.019     | 4          |                                    |
| 2          | Lock Nut M8*1.25   | 4.03.04.01.003     | 4          |                                    |
| 3          | Middle Roof Support/RH   | 3.02.01.33.109     | 1          | A4, A4 + 2                         |
| 4          | Middle Roof Support/LH   | 3.02.01.33.108     | 1          | A4, A4 + 2                         |
| 5          | Rear Flip Seat Safety Belt<br>U-Tube/Iron                            | 3.02.01.01.023     | 1          |                                    |
| 6          | Middle Seat Belt Mounting<br>Bar                                     | 3.02.01.01.011     | 1          | A4                                 |
| 7          | Seat Back Armrest  | 3.02.01.01.005     | 1          | A                                  |
| 8          | Backrest Bracket   | 3.02.01.01.006     | 2          | A                                  |
| 9          | Backrest Assembly  | *FULL ASSEMBLY*    | 1          | BN                                 |
| 10         | Screw Flange M6*20   | 4.03.02.01.004     | 11         |                                    |
| 11         | Backrest Base  | 4.05.01.01.130     | 1          |                                    |
| 12         | Inner Hexagon Large Flat<br>Head Self-Tapping Screws<br>M5*16/Black  | 4.03.03.15.038     | 8          |                                    |
| 13         | Connection Plate   | 4.05.01.01.133     | 2          |                                    |
| 14         | Cotton   | 4.05.01.07.01.035  | 2          | <u>*PART OF FULL<br/>ASSEMBLY*</u> |
| 15         | Backrest   | 4.05.01.07.05.002  | 1          |                                    |
| 16         | Seat Bottom Assembly   | 2.06.02.01.024     | 1          | BN                                 |
| 17         | Seat Cushion   | 4.05.01.07.05.003  | 1          |                                    |
| 18         | Armrest/RH   | 4.05.01.33.113     | 1          | M Type                             |
| 19         | Armrest Base/RH  | 4.05.01.33.115     | 1          | M Type                             |
| 20         | Inner Hexagon Large Flat<br>Head Self-Tapping Screws<br>M5*16/ Black | 4.03.03.15.038     | 22         |                                    |

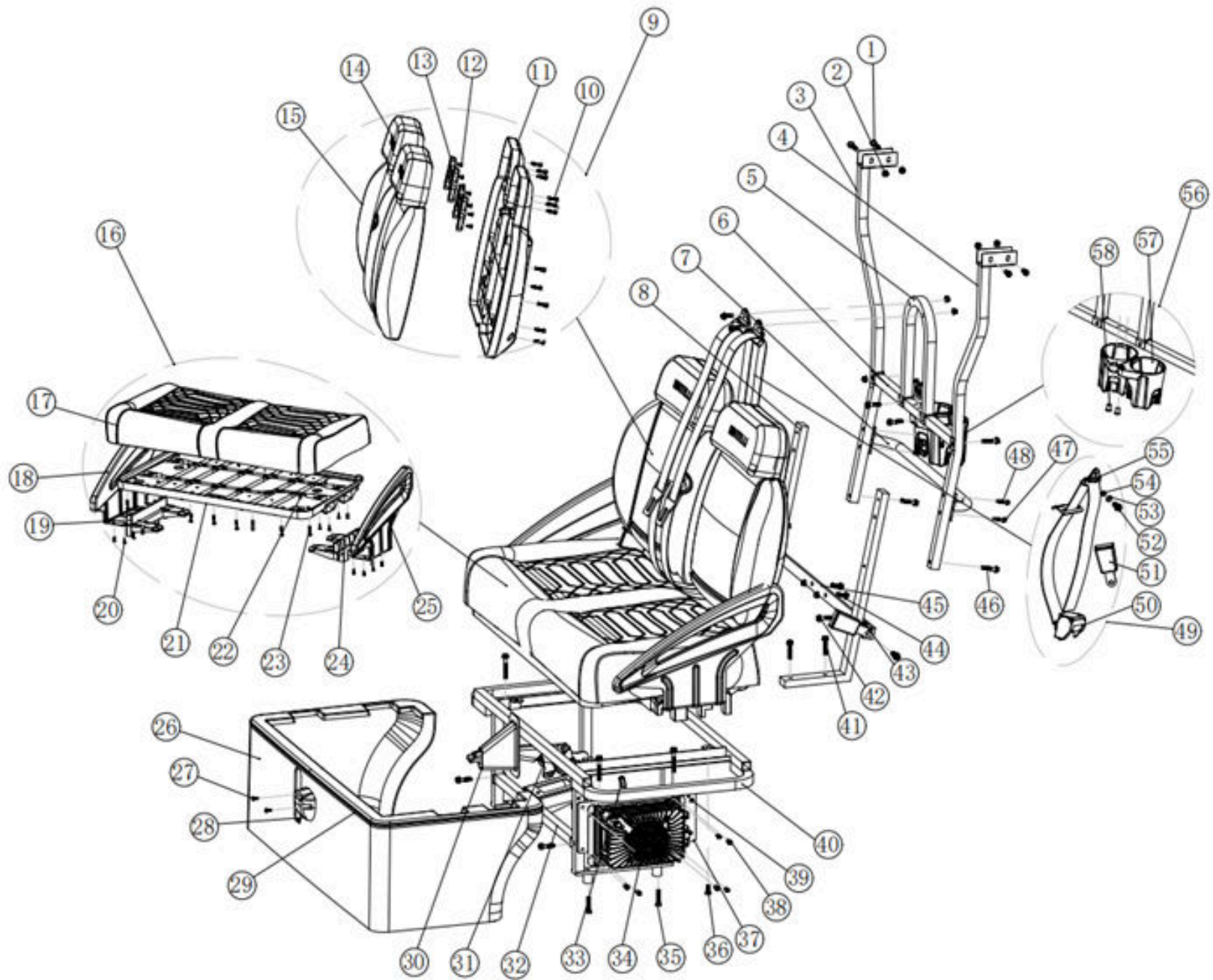
# FRONT SEAT PARTS DIAGRAM CONTINUED



**FRONT SEAT PARTS CONTINUED**

| <b>NO.</b> | <b>DESCRIPTION</b>                             | <b>PART NUMBER</b>  | <b>PCS</b> | <b>MEMO</b>                    |
|------------|--|---|------------|--------------------------------|
| 21         | Seat Bottom Tray                               | 4.05.01.01.038  | 1          | A Type                         |
| 22         | Rear Rack Screws                               | 4.03.03.12.003  | 4          |                                |
| 23         | Screw Flange M6*20                             | 4.03.02.01.004  | 10         |                                |
| 24         | Armrest Base/LH                                | 4.05.01.33.114  | 1          | M Type                         |
| 25         | Armrest/LH                                     | 4.05.01.33.112  | 1          | M Type                         |
| 26         | Front Seat Panel (NOTE<br>COLOR WHEN ORDERING) | 3.06.01.04.0101-Black<br>3.06.01.04.0101-HydroBlue<br>3.06.01.04.0101-Mint<br>3.06.01.04.0101-OceanBlue<br>3.06.01.04.0101-Red<br>3.06.01.04.0101-White | 1          |                                |
| 27         | Pan Head Cross Self-Tapping<br>Screw/M6*30     | 4.03.03.01.0110   | 2          |                                |
| 28         | F/R Switch Base                                | 4.05.01.03.005  | 1          | A Type                         |
| 29         | Sticker  | 4.05.03.01.040  | 2          |                                |
| 30         | Handbrake Cover                                | 4.05.04.09.035  | 1          |                                |
| 31         | Handbrake                                      | 4.02.13.02.006  | 1          |                                |
| 32         | Handbrake Cable Base                           | 3.02.01.01.127  | 1          | A Type                         |
| 33         | φ45 Pipe Cover                                 | 4.05.04.03.005  | 2          | A Type                         |
| 34         | Charger  | 4.04.01.06.158  | 1          | WT7217ZG *NOT A SPARE<br>PART* |
| 35         | Flange Screws M8*120                           | 4.03.02.01.030  | 4          |                                |
| 36         | Flange Screws M6*25                            | 4.03.02.01.005  | 4          |                                |
| 37         | Charger Adapter Plate<br>T=3mm Aluminum Plate  | 3.05.18.162   | 1          |                                |
| 38         | Flange Screws M6*16                            | 4.03.02.01.003  | 4          |                                |
| 39         | Steering Rubber Pad                            | 4.05.04.03.084  | 4          |                                |

# FRONT SEAT PARTS DIAGRAM CONTINUED

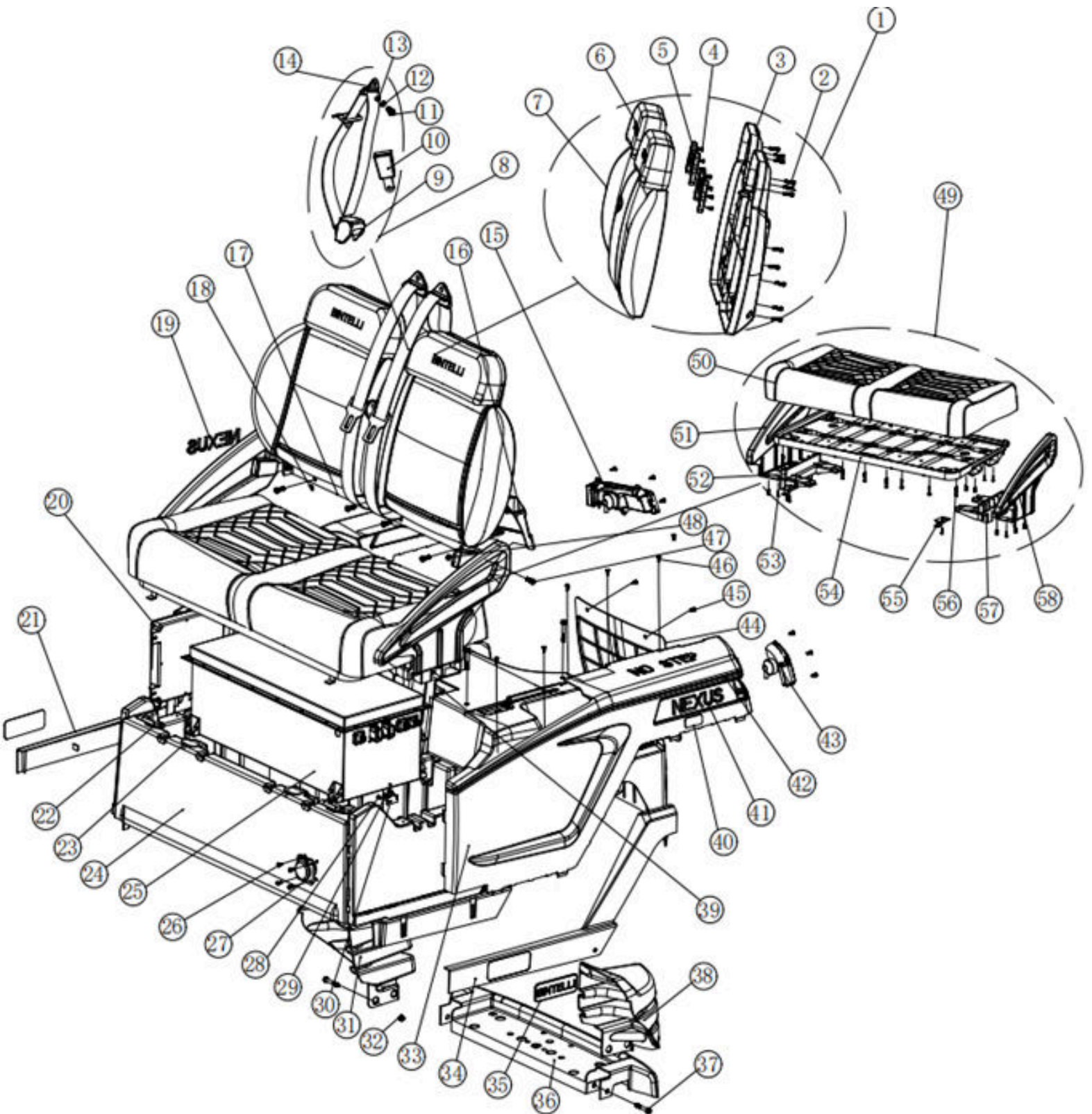


**FRONT SEAT PARTS CONTINUED**

| <b>NO.</b> | <b>DESCRIPTION</b>                       | <b>PART NUMBER</b> | <b>PCS</b> | <b>MEMO</b> |
|------------|--|--------------------|------------|-------------|
| 40         | Base Support                             | 3.02.01.05.011     | 1          | A4          |
| 41         | Screw Flange M8*35                       | 4.03.02.01.017     | 4          |             |
| 42         | Flange Screws M8*40                      | 4.03.02.01.018     | 2          |             |
| 43         | Lock Nut M8*1.25<br>M8                   | 4.03.04.01.003     | 2          |             |
| 44         | Screw Flange M8*25                       | 4.03.02.01.015     | 6          |             |
| 45         | Seatbelt Fix Tube                        | 3.02.01.69.012     | 1          | L-975MM     |
| 46         | Flange Screws M6*80                      | 4.03.02.01.067     | 2          |             |
| 47         | Flange Screws M6*45                      | 4.03.02.01.009     | 2          |             |
| 48         | Flange Screws M6*100                     | 4.03.02.01.095     | 2          |             |
| 49         | Complete 3pt Seat Belt                   | 4.05.01.16.004     | 1          |             |
| 50         | Seat Belt Retractor                      | 4.05.01.16.013     | 2          |             |
| 51         | Seatbelt Lock                            | 4.05.01.16.012     | 2          |             |
| 52         | Screw Flange M8*50                       | 4.03.02.01.020     | 1          |             |
| 53         | Flat washer M8*24*2                      | 4.03.05.03.005     | 1          |             |
| 54         | Seatbelt Aluminum Gasket                 | 3.04.02.003        | 1          |             |
| 55         | Seatbelt Anchor                          | 4.05.01.16.014     | 2          |             |
| 56         | Cup Holder Assembly                      | *FULL ASSEMBLY*    | 1          |             |
| 57         | Middle Row Cup Holder<br>Spindle Bushing | 4.05.01.41.009     | 2          |             |
| 58         | Middle Row Cup Holder                    | 4.05.01.41.008     | 2          |             |



# REAR BODY PANEL PARTS DIAGRAM

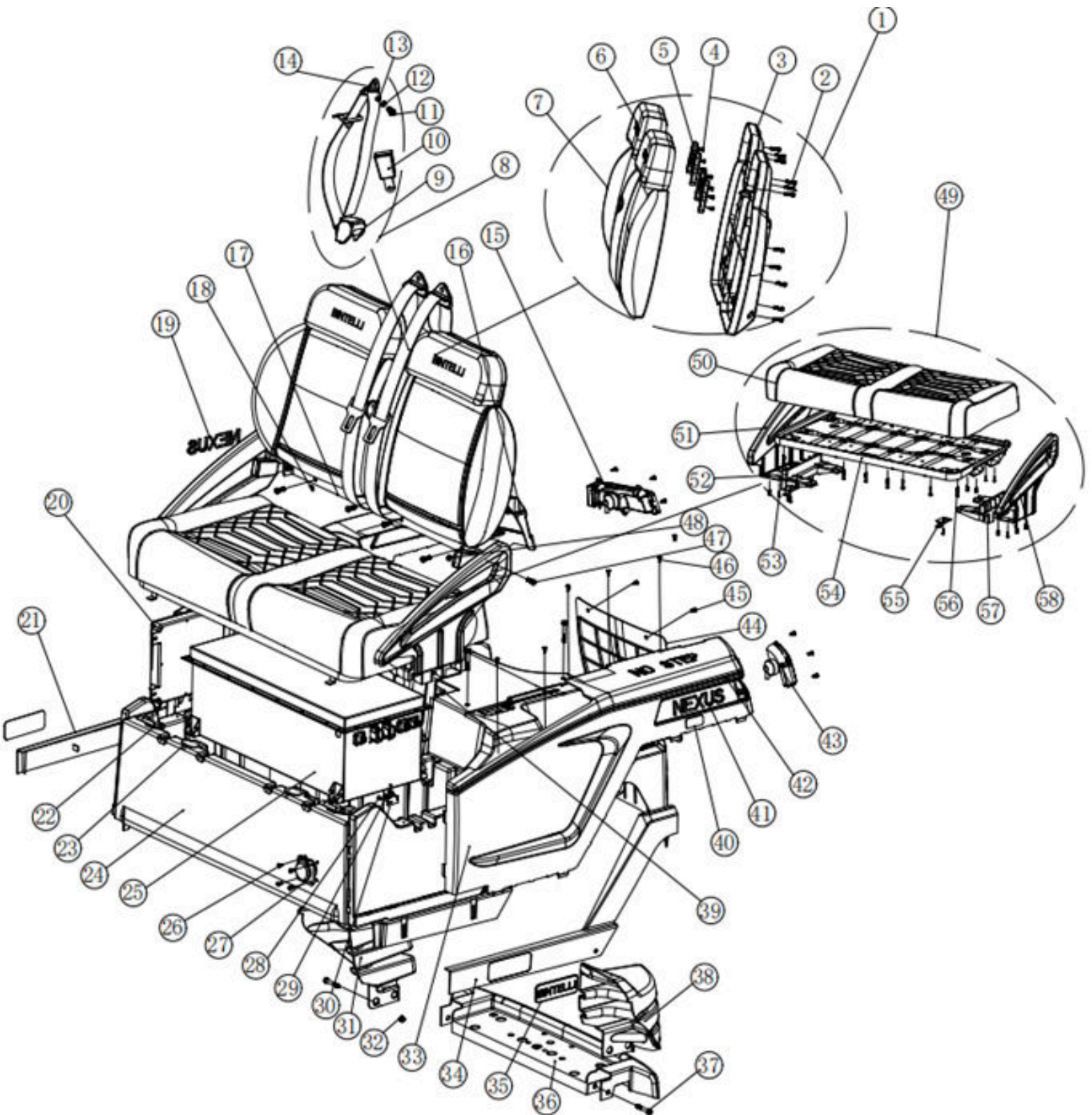


**REAR BODY PANEL PARTS**

| <b>NO.</b> | <b>DESCRIPTION</b>                                      | <b>PART NUMBER</b>  | <b>PCS</b> | <b>MEMO</b>                    |
|------------|---|---|------------|--------------------------------|
| 1          | Backrest Assembly                                       | *FULL ASSEMBLY*   | 1          | BN                             |
| 2          | Screw Flange M6*20                                      | 4.03.02.01.004  | 11         |                                |
| 3          | Backrest Base   | 4.05.01.01.130  | 1          | BN                             |
| 4          | Inner Hexagon Large Flat Head Self-Tapping Screws M5*16 | 4.03.03.06.024  | 8          |                                |
| 5          | Connection Plate  | 4.05.01.01.133  | 2          |                                |
| 6          | Cotton  | 4.05.01.07.01.035   | 2          | <u>*PART OF FULL ASSEMBLY*</u> |
| 7          | Backrest  | 4.05.01.07.05.002   | 1          |                                |
| 8          | Complete 3pt Seat Belt                                  | 4.05.01.16.004  | 1          |                                |
| 9          | Seatbelt Retractor                                      | 4.05.01.16.013  | 2          |                                |
| 10         | Seatbelt Lock   | 4.05.01.16.012  | 2          |                                |
| 11         | Screw Flange M8*50                                      | 4.03.02.01.020  | 1          |                                |
| 12         | Flat Washer M8*24*2                                     | 4.03.05.03.005  | 1          |                                |
| 13         | Seatbelt Aluminum Gasket                                | 3.04.02.003   | 1          |                                |
| 14         | Seatbelt Anchor   | 4.05.01.16.014  | 2          |                                |
| 15         | Rear Light / RH   | 4.04.14.01.005  | 1          |                                |
| 16         | Rear Quarter Panel/RH<br>(NOTE COLOR WHEN ORDERING)     | 4.05.01.34.002-Bright Red<br>4.05.01.34.002-Charcoal<br>4.05.01.34.002-Hydro Blue<br>4.05.01.34.002-Mint<br>4.05.01.34.002-Ocean Blue<br>4.05.01.34.002-White | 1          |                                |
| 17         | Seat Belt Mounting Bracket                              | 3.02.01.01.048  | 1          | 935MM                          |
| 18         | Seatbelt Aluminum Washer                                | 3.02.01.01.096  | 1          |                                |
| 19A        | New Logo-Black  | 4.05.03.01.057  | 1          |                                |
| 19B        | New Logo-White  | 4.05.03.01.058  | 1          |                                |

# REAR BODY PANEL PARTS DIAGRAM

## CONTINUED

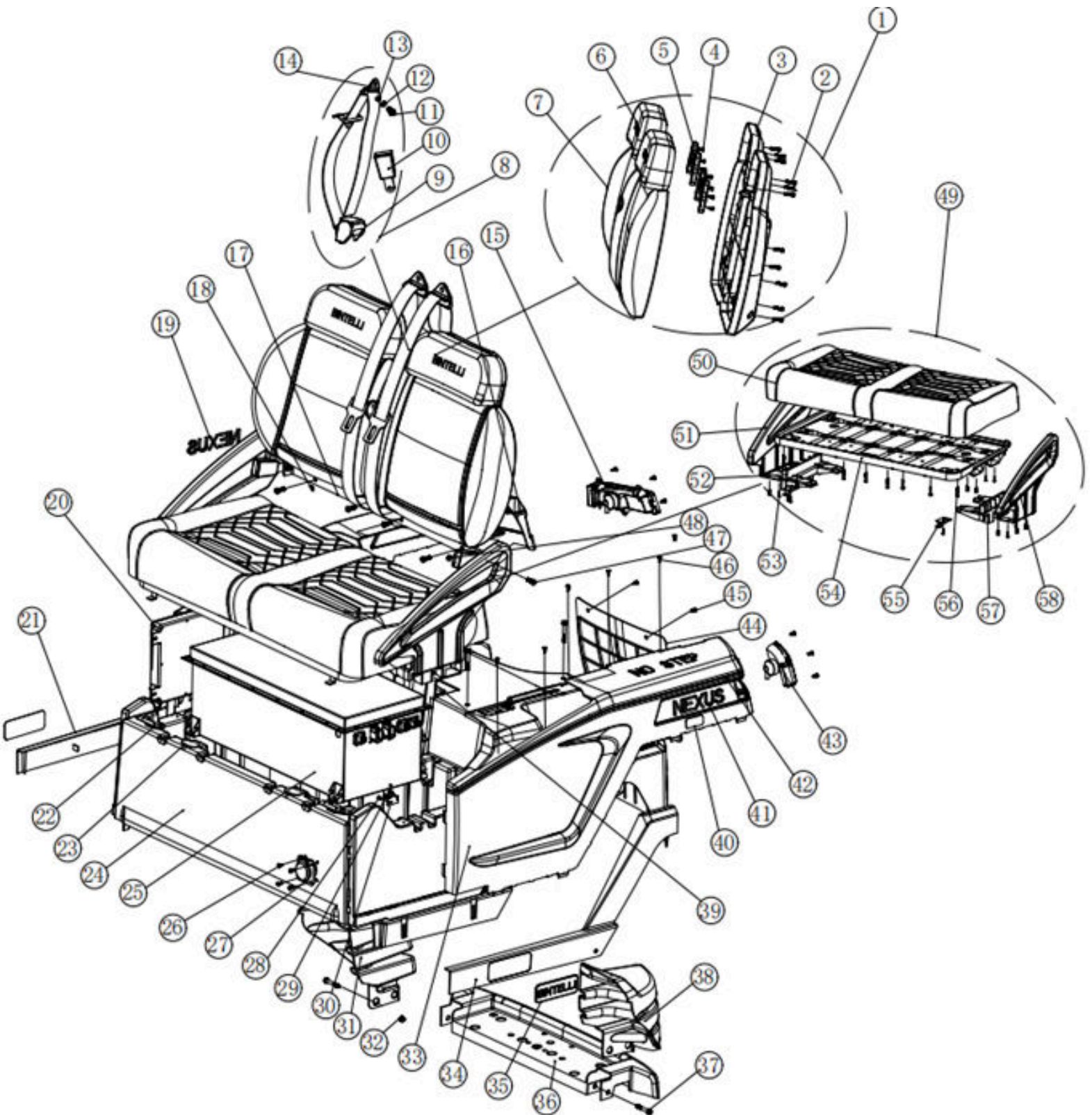


**REAR BODY PANEL PARTS CONTINUED**

| <b>NO.</b> | <b>DESCRIPTION</b>  | <b>PART NUMBER</b>  | <b>PCS</b> | <b>MEMO</b>                       |
|------------|---|---|------------|-----------------------------------|
| 20         | 48V156AH Lithium Battery                                      | 4.04.01.09.150  | 1          | ***NOT AVAILABLE AS SPARE PART*** |
| 21         | Rear Retainer/RH  | 4.05.01.33.026  | 1          | BN                                |
| 22         | M-Seat Buckle/Lower   | 3.05.40.0106  | 2          | M                                 |
| 23         | Seat Pads/3mm   | 4.05.04.02.015  | 6          | 3MM                               |
| 24         | Rear Underbody  | 4.05.01.33.022  | 1          |                                   |
| 25         | 72V156AH Lithium Battery                                      | 4.04.01.09.134  | 1          | ***NOT AVAILABLE AS SPARE PART*** |
| 26         | Internal Hexagonal Round Head Screw M6*60                     | 4.03.03.03.064  | 4          |                                   |
| 27         | Power Socket  | 4.04.07.139   | 1          | BN                                |
| 28         | Inner Hexagon Large Flat Head Self-Tapping Screws M5*16/Black | 4.03.03.15.038  | 2          |                                   |
| 29         | Tow/Run Switch  | 4.04.02.01.009  | 1          | 125-250                           |
| 30         | Tow / Run Switch Support                                      | 3.02.01.33.146  | 1          |                                   |
| 31         | Rear Body Panel Reinforcement/RH                              | 4.05.01.01.017  | 1          |                                   |
| 32         | Lock Nut M8*1.25  | 4.03.04.01.003  | 4          |                                   |
| 33         | Rear Quarter Panel/LH (NOTE COLOR WHEN ORDERING)              | 4.05.01.34.003-Bright Red<br>4.05.01.34.003-Charcoal<br>4.05.01.34.003-Hydro Blue<br>4.05.01.34.003-Mint<br>4.05.01.34.003-Ocean Blue<br>4.05.01.34.003-White | 1          |                                   |
| 34         | Rear Retainer/LH  | 4.05.01.33.026-Left   | 1          | BN                                |
| 35         | Beyond Logo (Side)  | 4.05.03.01.030  | 2          |                                   |
| 36         | Rear Liner  | 4.05.01.01.012  | 1          |                                   |
| 37         | Screw Flange M8*85  | 4.03.02.01.026  | 4          |                                   |
| 38         | Rear Body Panel Reinforcement/LH                              | 4.05.01.01.016  | 1          |                                   |
| 39         | Closing Panel   | 4.05.01.33.031  | 1          |                                   |



# REAR BODY PANEL PARTS DIAGRAM CONTINUED

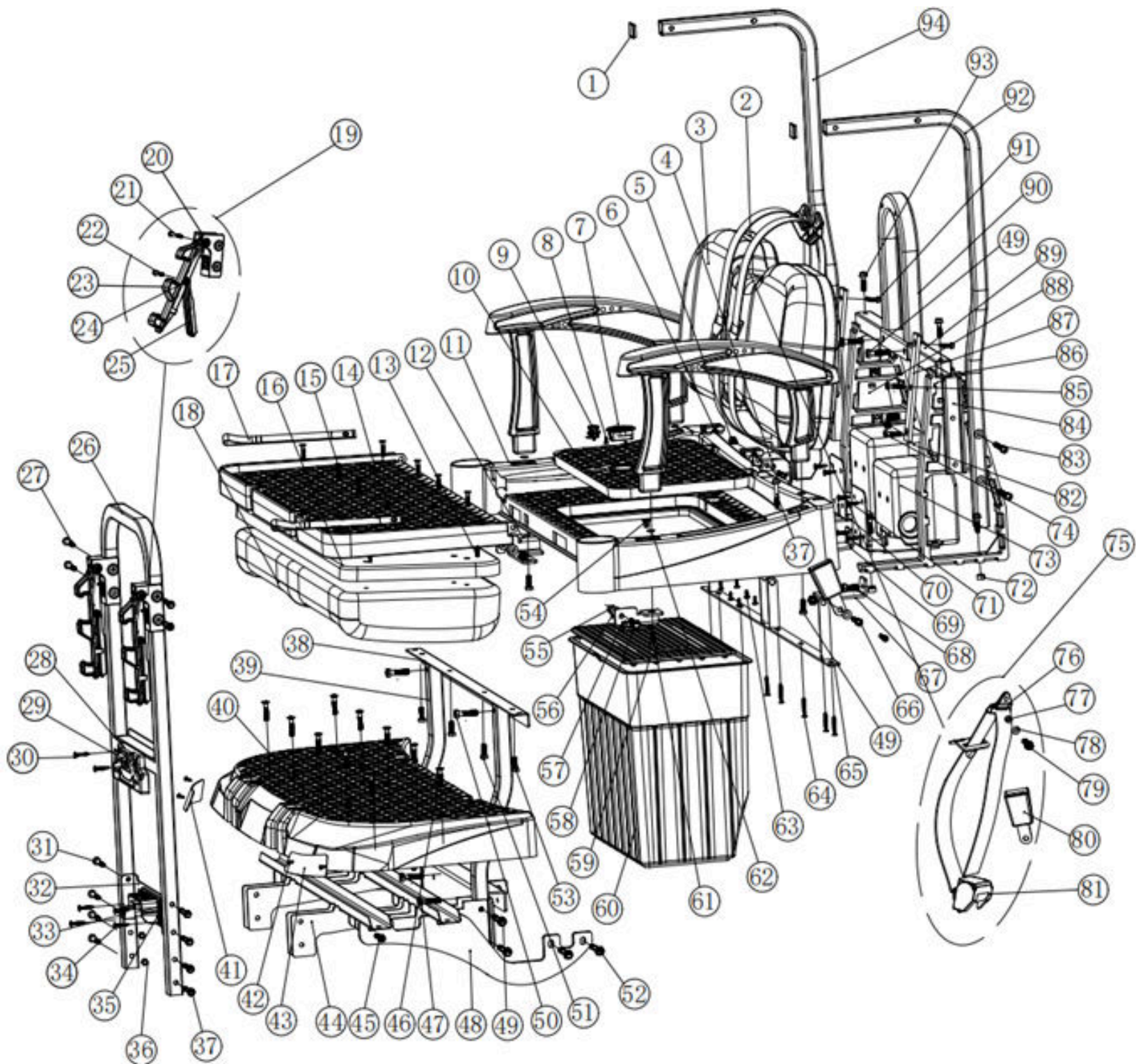


**REAR BODY PANEL PARTS CONTINUED**

| <b>NO.</b> | <b>DESCRIPTION</b>  | <b>PART NUMBER</b> | <b>PCS</b> | <b>MEMO</b> |
|------------|---|--------------------|------------|-------------|
| 40         | Body Reflective Stickers                                      | 4.09.05.031        | 4          |             |
| 41A        | New Logo-Black  | 4.05.03.01.057     | 1          |             |
| 41B        | New Logo-White  | 4.05.03.01.058     | 1          |             |
| 42         | Sticker   | 4.05.03.01.040     | 2          |             |
| 43         | Rear Light/LH   | 4.04.14.01.004     | 1          |             |
| 44         | Access Panel  | 4.05.01.33.025     | 1          |             |
| 45         | Plastic Nail C633   | 4.05.04.05.006     | 2          |             |
| 46         | Inner Hexagon Large Flat Head Self-Tapping Screws M5*16       | 4.03.03.06.024     | 6          |             |
| 47         | Screw Flange M8*25  | 4.03.02.01.015     | 2          |             |
| 48         | Lock Nut M8*1.25  | 4.03.04.01.003     | 2          |             |
| 49         | Seat Bottom Assembly  | 2.06.02.01.024     | 1          | BN          |
| 50         | Seat Cushion  | 4.05.01.07.05.003  | 1          |             |
| 51         | Armrest/RH  | 4.05.01.33.113     | 1          | M Type      |
| 52         | Armrest Base/RH   | 4.05.01.33.115     | 1          | M Type      |
| 53         | Inner Hexagon Large Flat Head Self-Tapping Screws M5*16/Black | 4.03.03.15.038     | 28         |             |
| 54         | Seat Bottom Tray  | 4.05.01.01.038     | 1          | A Type      |
| 55         | M-Seat Buckle/Upper   | 3.05.40.0105       | 2          | M Type      |
| 56         | Screw Flange M6*20  | 4.03.02.01.004     | 10         |             |
| 57         | Armrest Base/LH   | 4.05.01.33.114     | 1          | M Type      |
| 58         | Armrest/LH  | 4.05.01.33.112     | 1          | M Type      |



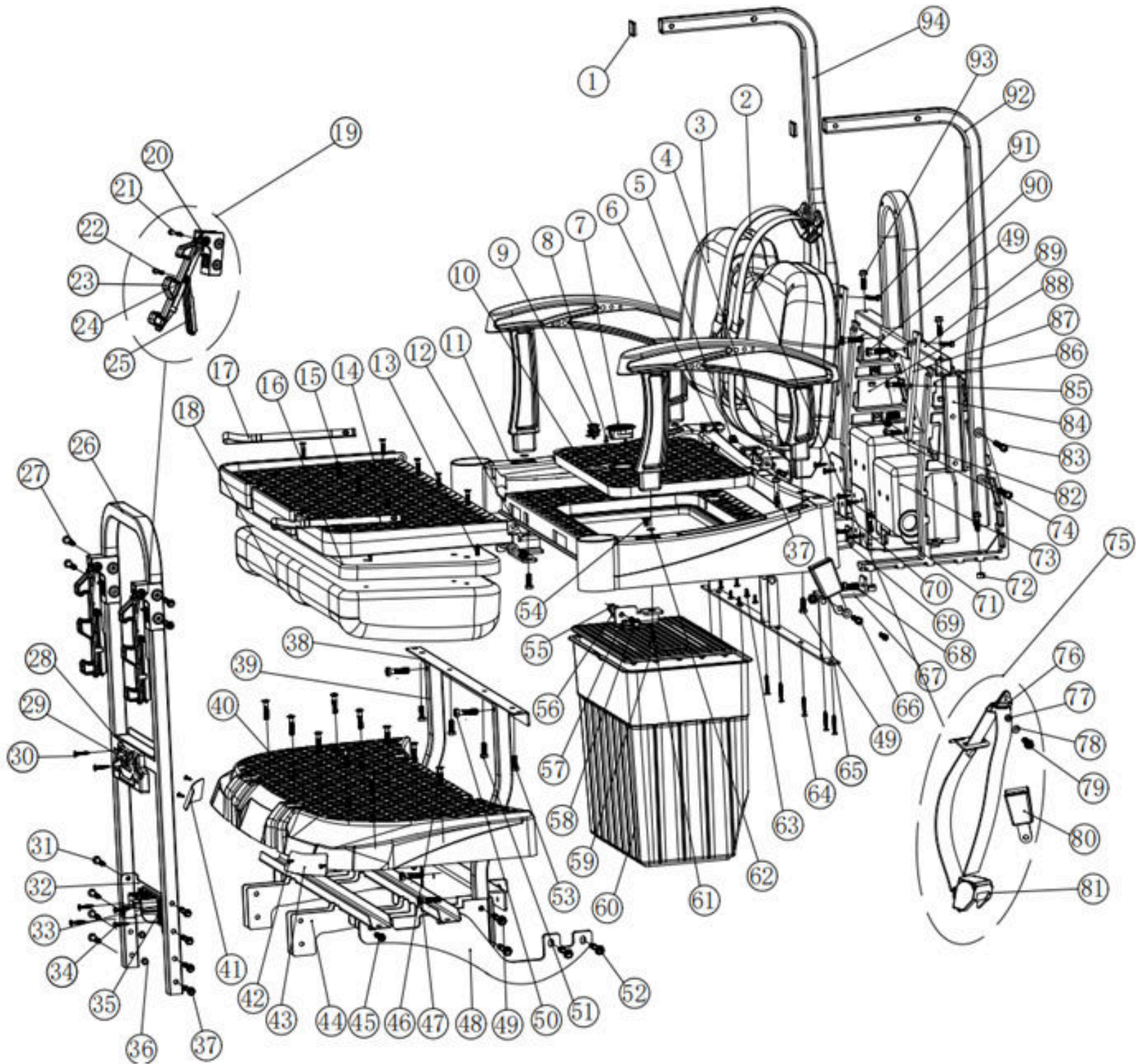
# BACKWARD SEAT PARTS DIAGRAM



**BACKWARD SEAT PARTS**

| <b>NO.</b> | <b>DESCRIPTION</b>                       | <b>PART NUMBER</b> | <b>PCS</b> | <b>MEMO</b> |
|------------|--|--------------------|------------|-------------|
| 1          | Pipe Plug                                | 4.05.04.03.055     | 2          |             |
| 2          | Flip Seat Backrest Bottom Plate          | 4.05.01.07.03.011  | 1          |             |
| 3          | Backward Seat Assembly                   | 4.05.01.07.03.013  | 1          |             |
| 4          | New Reverse Kit Seat Belt Transfer Plate | 3.02.01.05.087     | 1          |             |
| 5          | Screw Flange M8*20                       | 4.03.02.01.014     | 4          |             |
| 6          | Storage Box Cover Piece W/Hardware       | 4.05.01.42.003     | 4          |             |
| 7          | Reverse Kit Cooler Latch                 | 4.01.43.074        | 1          |             |
| 8          | Cross Pan Head Machine Nail 5*10         | 4.03.03.08.025     | 2          |             |
| 9          | Ignition                                 | 4.04.02.02.020     | 1          |             |
| 10         | New Reverse Kit Flip Board Lid           | 4.05.01.42.002     | 1          |             |
| 11         | New Reverse Kit Plastic Fixed Base       | 4.05.01.42.011     | 1          |             |
| 12         | New Reverse Kit Metal Fixed Plate LH     | 3.02.01.05.069     | 1          |             |
| 13         | Flange Screws M6*16                      | 4.03.02.01.003     | 2          |             |
| 14         | New Reverse Kit Flip Board               | 4.05.01.42.005     | 1          |             |
| 15         | Countersunk Hexagon Socket Screw M6*40   | 4.03.03.03.033     | 8          |             |
| 16         | Backward Seat Base                       | 4.05.01.07.03.005  | 1          |             |
| 17         | Strap                                    | 4.01.68.008        | 2          |             |
| 18         | Flip Seat Cushion                        | 4.05.01.07.03.007  | 1          |             |
| 19         | Beach Seat Holder Assembly               | 2.01.01.01.019     | 1          |             |
| 20         | Beach Seat Holder Base                   | 4.05.01.18.008     | 2          |             |

# BACKWARD SEAT PARTS DIAGRAM CONTINUED

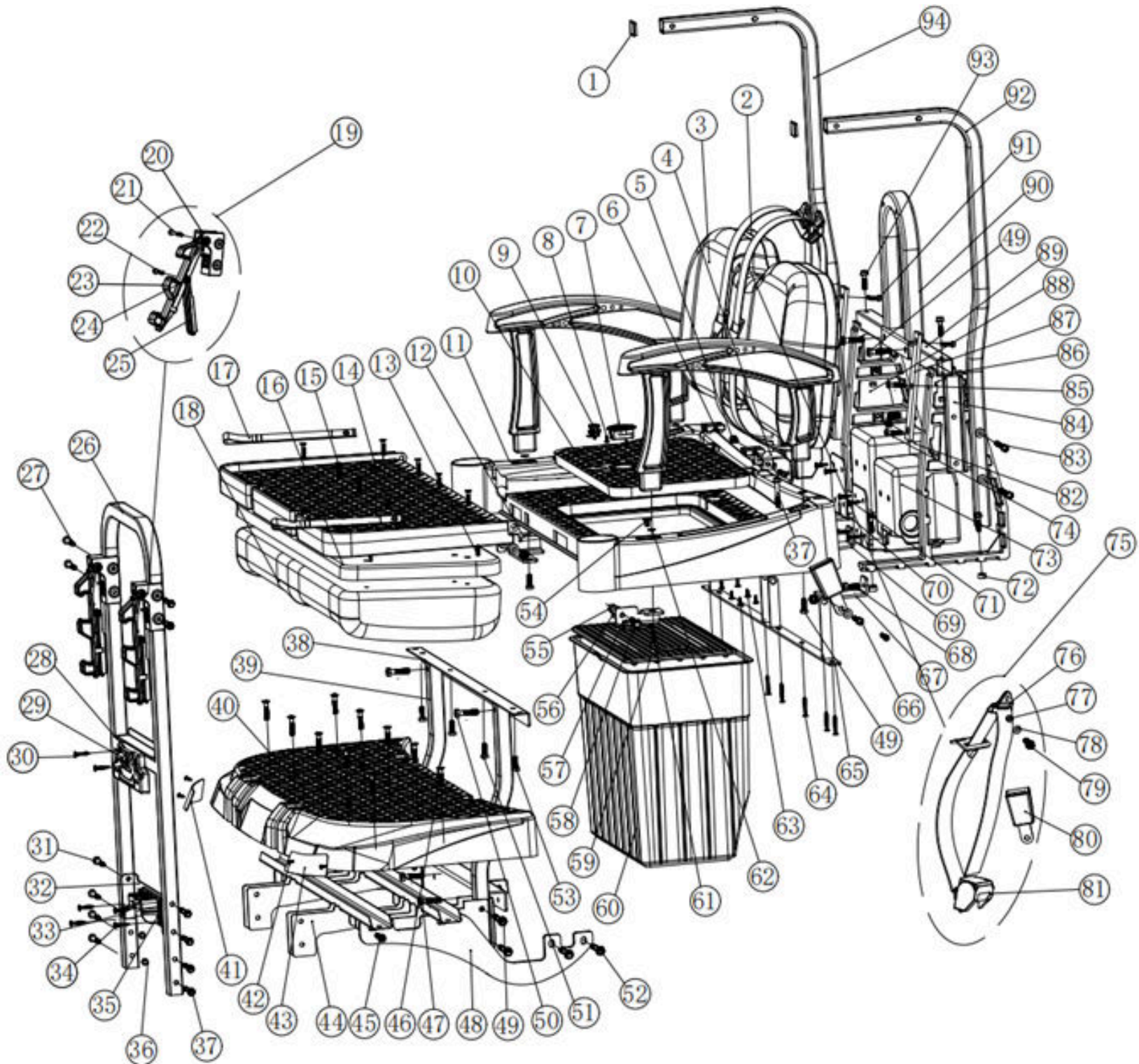


**BACKWARD SEAT PARTS CONTINUED**

| <b>NO.</b> | <b>DESCRIPTION</b>                                | <b>PART NUMBER</b> | <b>PCS</b> | <b>MEMO</b> |
|------------|---|--------------------|------------|-------------|
| 21         | Flange Screws M6*55                               | 4.03.02.01.011     | 2          |             |
| 22         | Flange Screws M6*35                               | 4.03.02.01.007     | 2          |             |
| 23         | Lock Nut M6*1.25                                  | 4.03.04.01.001     | 4          |             |
| 24         | Beach Seat Holder Movable Part                    | 4.05.01.18.009     | 2          |             |
| 25         | Beach Seat Holder Support                         | 4.05.01.18.010     | 2          |             |
| 26         | Rear Armrest                                      | 3.02.01.05.073     | 1          | BN          |
| 27         | Flange Screws M8*55                               | 4.03.02.01.021     | 4          |             |
| 28         | License Plate Light Bracket                       | 4.05.01.33.076     | 1          | D-AM        |
| 29         | License Plate Light                               | 4.04.06.12.025     | 1          | 15-003      |
| 30         | Hexagon Socket Self-Tapping Screw M5*25           | 4.03.03.06.019     | 2          |             |
| 31         | Screw Flange M8*45                                | 4.03.02.01.019     | 4          |             |
| 32         | Camera Fixing Plate                               | 3.02.05.01.132     | 1          |             |
| 33         | Reverse Camera                                    | 4.08.04.013        | 1          |             |
| 34         | Screw Flange M6*20                                | 4.03.02.01.004     | 4          |             |
| 35         | New Back Up Camera Bracket                        | 4.05.01.42.021     | 1          |             |
| 36         | Lock Nut M8*1.25                                  | 4.03.04.01.003     | 4          |             |
| 37         | Screw Flange M8*50                                | 4.03.02.01.020     | 4          |             |
| 38         | Reverse Kit Fixed Support Frame Pinboard          | 3.02.01.05.068     | 1          |             |
| 39         | New Reverse Kit Fixed Base Support Frame Assembly | 3.02.01.05.071     | 1          |             |
| 40         | New Reverse Kit Caddie Plate                      | 4.05.01.42.001     | 1          |             |



# BACKWARD SEAT PARTS DIAGRAM CONTINUED

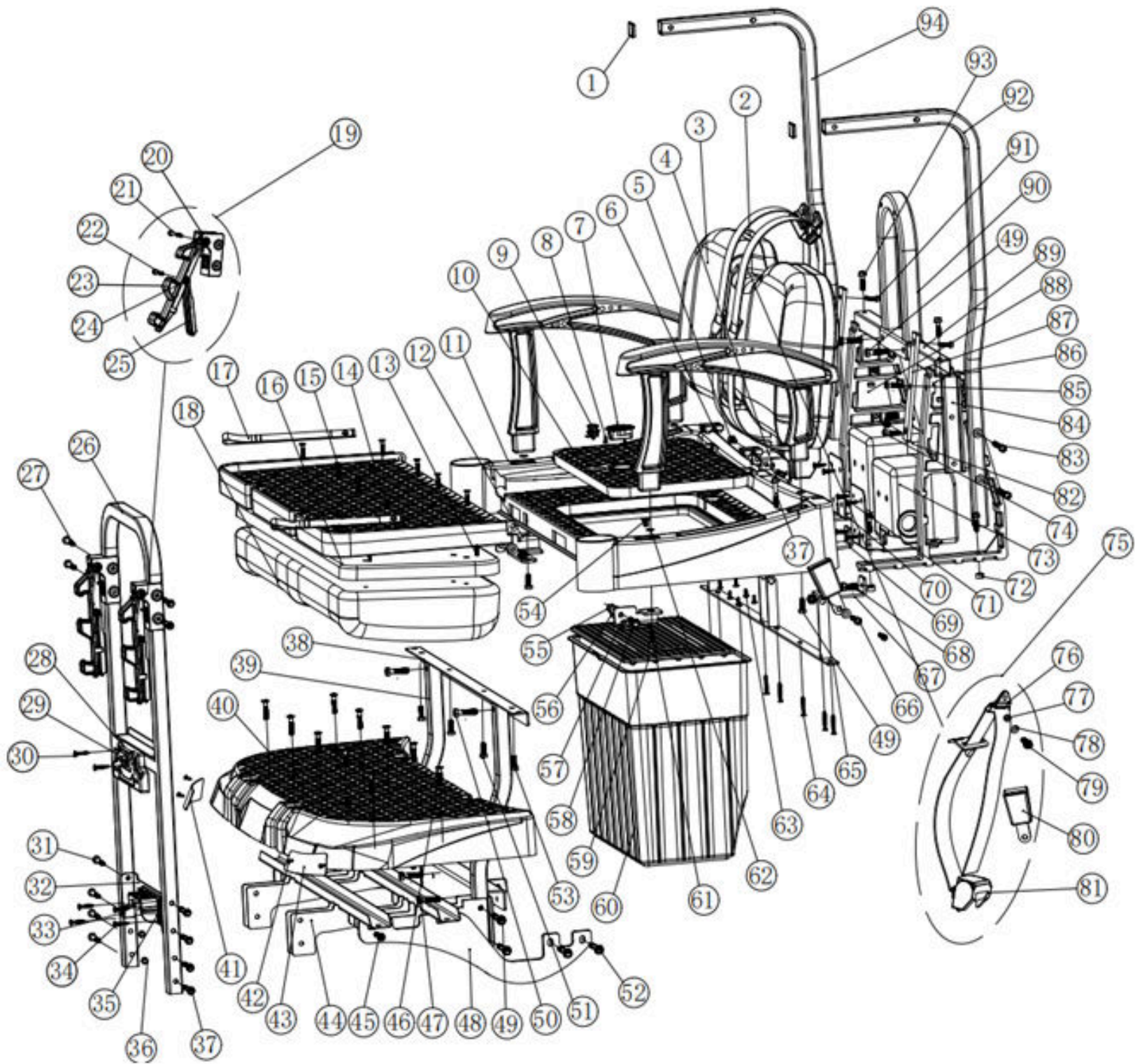


**BACKWARD SEAT PARTS CONTINUED**

| <b>NO.</b> | <b>DESCRIPTION</b>                                     | <b>PART NUMBER</b> | <b>PCS</b> | <b>MEMO</b> |
|------------|--|--------------------|------------|-------------|
| 41         | Body Reflective Stickers                               | 4.09.05.031        | 1          |             |
| 42         | Cross Self-Tapping Screws<br>M4*16                     | 4.03.03.01.019     | 4          |             |
| 43         | Body Reflective Stickers                               | 4.09.05.031        | 1          |             |
| 44         | New Reverse Kit Caddie<br>Plate Support Assembly       | 3.02.01.05.072     | 2          |             |
| 45         | Screw Flange M8*25                                     | 4.03.02.01.015     | 4          |             |
| 46         | Countersunk Hexagon<br>Socket Screw M8*40              | 4.03.03.03.035     | 10         |             |
| 47         | Screw Flange M8*65                                     | 4.03.02.01.082     | 2          |             |
| 48         | New Reverse Kit Lock Plate<br>Support for Caddie Plate | 3.02.01.05.082     | 1          |             |
| 49         | Screw Flange M8*65                                     | 4.03.02.01.082     | 4          |             |
| 50         | Screw Flange M8*45                                     | 4.03.02.01.019     | 10         |             |
| 51         | Countersunk Hexagon<br>Socket Screw M8*30              | 4.03.03.15.024     | 2          |             |
| 52         | Screw Flange M8*85                                     | 4.03.02.01.026     | 4          |             |
| 53         | Countersunk Hexagon<br>Socket Screw M8*40              | 4.03.03.03.035     | 4          |             |
| 54         | Countersunk Head Screw<br>Cover                        | 4.05.04.09.033     | 4          |             |
| 55         | 304 Hexagonal Locking Nut<br>M10                       | 4.03.04.04.017     | 2          |             |
| 56         | New Reverse Kit Stainless<br>Flip Board Bush           | 3.11.01.01.030     | 2          |             |
| 57         | New Reverse Kit Metal<br>Fixed Plate RH                | 3.02.01.05.070     | 1          |             |
| 58         | Outer Hexagon Bolt M10*45                              | 4.03.03.04.043     | 2          |             |
| 59         | Foldable Seat Storage Box<br>Partition                 | 4.05.01.42.037     | 1          |             |
| 60         | Backward Seat Storage Box                              | 4.05.01.42.036     | 1          |             |



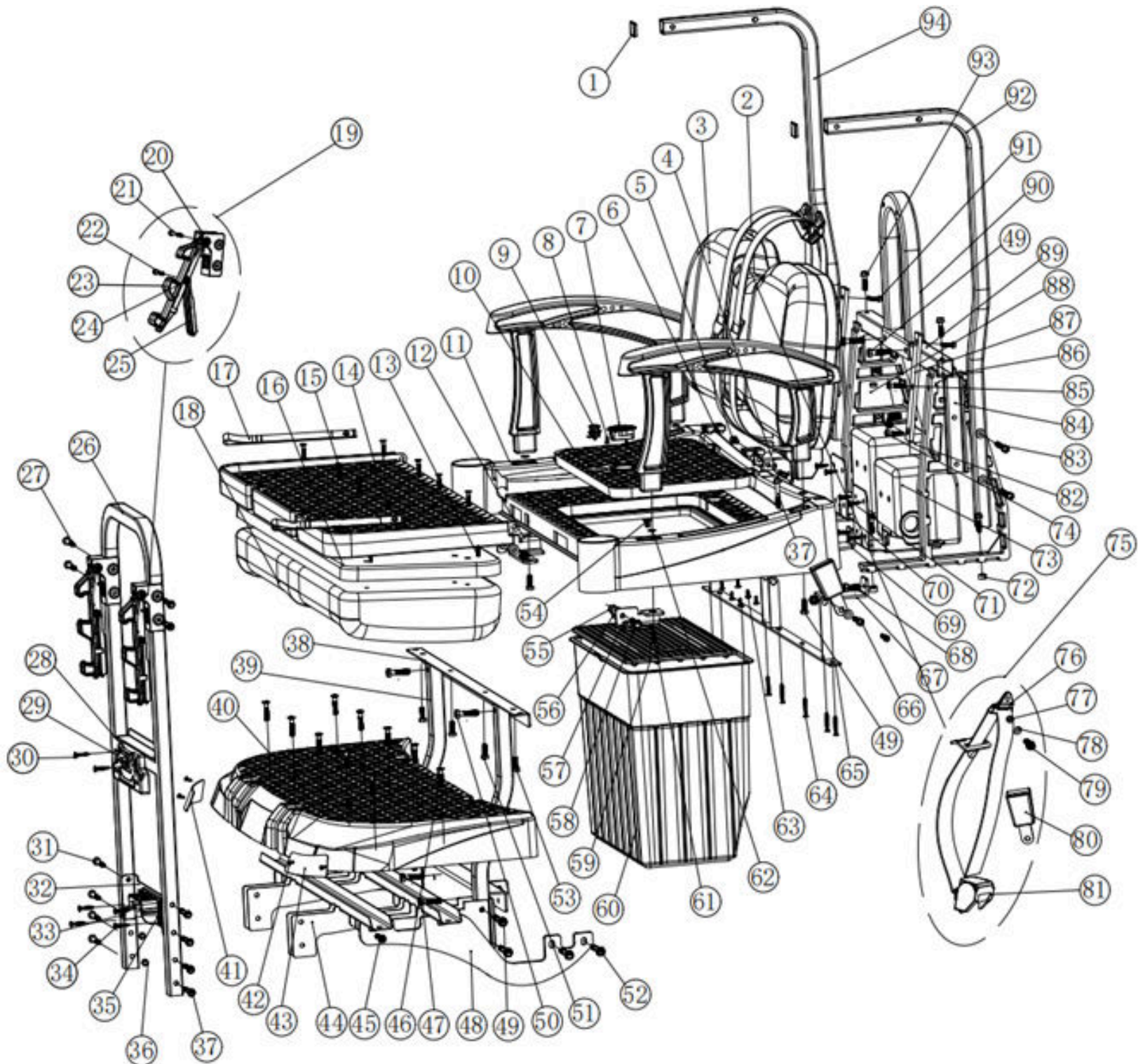
# BACKWARD SEAT PARTS DIAGRAM CONTINUED



## BACKWARD SEAT PARTS CONTINUED

| NO. | DESCRIPTION   | PART NUMBER    | PCS | MEMO |
|-----|---|----------------|-----|------|
| 61  | Flange Bolt M8*30                                       | 4.03.02.01.016 | 2   |      |
| 62  | Flat Washer M8*24*2                                     | 4.03.05.03.005 | 6   |      |
| 63  | Inner Hexagon Large Flat Head Self-Tapping Screws M5*25 | 4.03.03.15.040 | 8   |      |
| 64  | Inner Hexagon Large Flat Head Self-Tapping Screws M5*25 | 4.03.03.15.040 | 8   |      |
| 65  | New Reverse Kit Seat Belt Fixed Plate                   | 3.02.01.05.067 | 1   |      |
| 66  | Screw Flange M8*20                                      | 4.03.02.01.014 | 2   |      |
| 67  | New Reverse Kit Plastic Fixed Base Junction Plate RH    | 3.02.01.05.065 | 1   |      |
| 68  | Flange Bolt M8*30                                       | 4.03.02.01.016 | 2   |      |
| 69  | New Reverse Kit Plastic Fixed Base Junction Plate LH    | 3.02.01.05.066 | 1   |      |
| 70  | Rear Speaker Mounting Plate/LH                          | 3.02.01.69.019 | 1   | BN   |
| 71  | Rear Speaker Mounting Plate/RH                          | 3.02.01.69.020 | 1   | BN   |
| 72  | Steering Assembly Spacer 10mm                           | 3.04.01.002    | 4   |      |
| 73  | BN Rear Speaker/R                                       | 4.04.06.37.006 | 1   | BN   |
| 74  | Countersunk Hexagon Socket Screw M6*30                  | 4.03.03.03.032 | 2   |      |
| 75  | Complete 3pt Seat Belt                                  | 4.05.01.16.004 | 1   |      |
| 76  | Seatbelt Anchor   | 4.05.01.16.014 | 1   |      |
| 77  | Seatbelt Gasket   | 3.04.02.003    | 1   |      |
| 78  | Flat Washer M8*24*2                                     | 4.03.05.03.005 | 1   |      |
| 79  | Screw Flange M8*50                                      | 4.03.02.01.020 | 1   |      |
| 80  | Female Seat Belt  | 4.05.01.16.006 | 1   |      |

# BACKWARD SEAT PARTS DIAGRAM CONTINUED

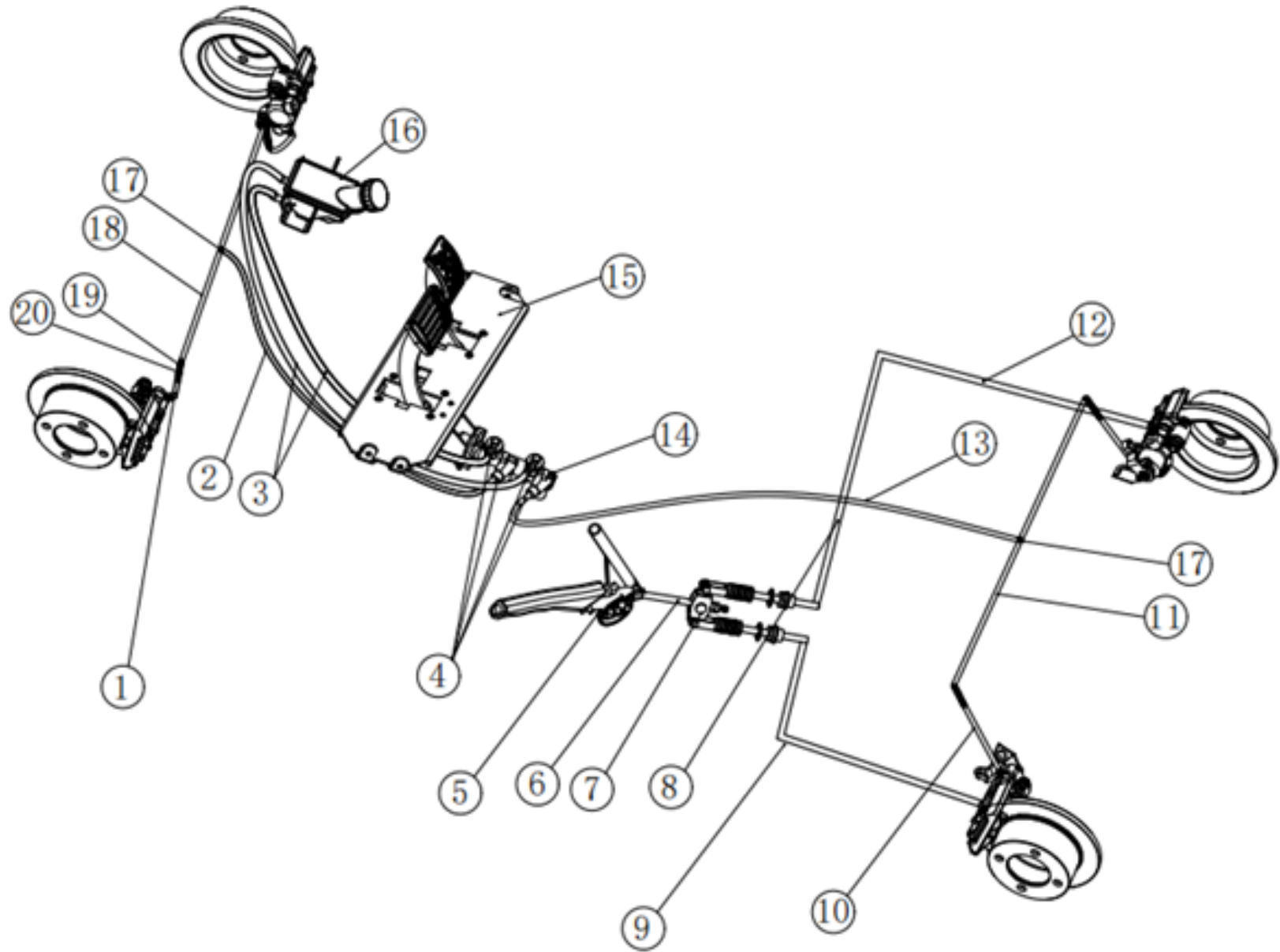


**BACKWARD SEAT PARTS CONTINUED**

| <b>NO.</b> | <b>DESCRIPTION</b>                              | <b>PART NUMBER</b> | <b>PCS</b> | <b>MEMO</b> |
|------------|---|--------------------|------------|-------------|
| 81         | Seatbelt Retractor                              | 4.05.01.16.013     | 1          |             |
| 82         | BN Rear Speaker/L                               | 4.04.06.37.006     | 1          |             |
| 83         | Flange Screws M8*75                             | 4.03.02.01.047     | 4          |             |
| 84         | Roof Rear Support Spacer<br>RH (Anti Squeak)    | 4.05.01.42.032     | 1          |             |
| 85         | Screw Flange M6*25                              | 4.03.02.01.005     | 2          |             |
| 86         | New Reverse Kit Alum Rear<br>Supporting Seat-RH | 3.02.01.33.138     | 2          |             |
| 87         | Flip Seat Backrest Adapter<br>Plate/Iron        | 3.02.01.03.053     | 2          |             |
| 88         | Roof Rear Support Spacer<br>LH (Anti Squeak)    | 4.05.01.42.031     | 1          |             |
| 89         | New Reverse Kit Seatbelt<br>Fixed Tube          | 3.02.01.05.086     | 1          |             |
| 90         | Rear Flip Seat Safety Belt<br>U-Tube/Iron       | 3.02.01.01.023     | 1          |             |
| 91         | Screw Flange M8*40                              | 4.03.02.01.008     | 2          |             |
| 92         | Roof Rear Support/RH<br>(NEW)                   | 3.02.01.05.084     | 1          | M1S2        |
| 93         | Screw Flange M8*50                              | 4.03.02.01.020     | 2          |             |
| 94         | Roof Rear Support/LH<br>(NEW)                   | 3.02.01.05.083     | 1          |             |
| *          | Lock Nut M6*1.25                                | 4.03.04.01.001     | 10         |             |
| *          | Lock Nut M8*1.25                                | 4.03.04.01.003     | 82         |             |
| *          | Screw Cap M8                                    | 4.05.04.04.008     | 39         |             |
| *          | Screw Cap M6                                    | 4.05.04.04.006     | 18         |             |
| *          | Nut Cap M8                                      | 4.05.04.04.009     | 34         |             |
| *          | Nut Cap M6                                      | 4.05.04.04.007     | 10         |             |



# FOUR WHEEL DISC BRAKE PARTS DIAGRAM



**BACKWARD SEAT PARTS CONTINUED**

| <b>NO.</b> | <b>DESCRIPTION</b>             | <b>PART NUMBER</b> | <b>PCS</b> | <b>MEMO</b>              |
|------------|--------------------------------|--------------------|------------|--------------------------|
| 1          | Front Hose L-380               | 4.02.02.10.054     | 2          |                          |
| 2          | Front Brake Pipe L-700         | 4.02.02.10.050     | 1          |                          |
| 3          | Oil Pipe 8*1.8M                | 4.02.02.12.020     | 1          |                          |
| 4          | Knot 10-16                     | 4.02.02.12.010     | 4          |                          |
| 5          | Handbrake                      | 4.02.13.02.006     | 1          |                          |
| 6          | Brake Cable Screw M8*320       | 4.02.02.01.011     | 1          | Square Head Screw M8*320 |
| 7          | Brake Cable Screw<br>Accessory | 4.02.02.01.016     | 1          |                          |
| 8          | A4 Handbrake Cable/R           | 4.02.02.01.005     | 1          | BN Handbrake Cable       |
| 9          | A4 Handbrake Cable/L           | 4.02.02.01.004     | 1          | BN Handbrake Cable       |
| 10         | Rear Hose L-300                | 4.02.02.10.049     | 2          | L-300                    |
| 11         | Brake Pipe 24.5in              | 4.02.02.10.060     | 1          | L-620                    |
| 12         | Rear Hose L-850                | 4.02.02.10.059     | 1          | L-850                    |
| 13         | Brake Pipe 32in                | 4.02.02.10.057     | 1          | L-1650<br>AH2            |
| 14         | Master Cylinder                | 4.02.05.01.043     | 1          | ZY01-3503010             |
| 15         | Brake Disc Pedal Assembly      | 4.02.02.11.001     | 1          | BN                       |
| 16         | Brake Reservoir                | 4.05.04.07.004     | 1          |                          |
| 17         | Three-Way Valve                | 4.02.02.12.011     | 2          |                          |
| 18         | Front Brake Pipe               | 4.02.02.12.001     | 2          |                          |
| 19         | Hollow Screw M10*25*1.0        | 4.03.02.09.002     | 4          |                          |
| 20         | Washer                         | 4.02.02.12.007     | 8          | C10                      |



